

**Serie | 8, Domino hob, gas, 30 cm
PRA326B91X**



Included accessories
1 x WOK attachment ring

The gas- wok hob of the Domino programme: cook like a pro over an especially powerful flame.

- **30 cm width:** suitable for combining with other Domino and ComfortProfile hobs.
- **Glass-ceramic surface:** highly heat-resistant as well as easy to clean.
- **Dual wok burner:** dual flame system for very powerful cooking at up to 5.5 kW.

Technical Data

Product name/family :	Vario/Domino gas hob w control
Built-in / Free-standing :	CONSTR_TYPE.Built-in
Energy input :	Gas
Total number of positions that can be used at the same time :	1
Required niche size for installation (HxWxD) :	87 x 270 x 490-500
Width of the product (mm) :	306
Dimensions of the product (mm) :	87 x 306 x 527
Dimensions of the packed product (HxWxD) (mm) :	200 x 385 x 600
Net weight (kg) :	8.731
Gross weight (kg) :	10.0
Residual heat indicator :	without
Location of control panel :	Hob front
Basic surface material :	Ceramic
Color of surface :	Alu, Black
Color of frame :	Alu, Black
Approval certificates :	SG SAFETY, VDE, VDE
Length electrical supply cord (cm) :	100
Electrical connection rating (W) :	1
Gas connection rating (W) :	5500
Current (A) :	6
Voltage (V) :	220-240
Frequency (Hz) :	50



4 242002 635422

**Serie | 8, Domino hob, gas, 30 cm
PRA326B91X**

**The gas- wok hob of the Domino programme:
cook like a pro over an especially powerful
flame.**

Performance

- Domino Cooktop Gas
- 1 dual wok burner Wok burner (5.5 KW)
- Control knob with electric ignition

Features

- Preset of town gas (10mbar)

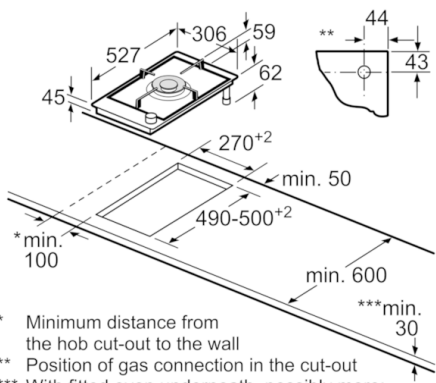
Design

- Can be combined with all hobs in comfort design
- Cast iron pan supports

Safety functions

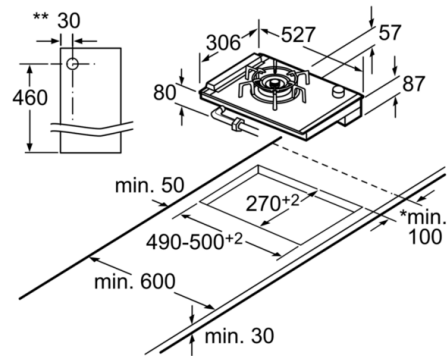
- Flame failure safety device

**Serie | 8, Domino hob, gas, 30 cm
PRA326B91X**



- * Minimum distance from the hob cut-out to the wall
- ** Position of gas connection in the cut-out
- *** With fitted oven underneath, possibly more; see space requirements for the oven

measurements in mm



- * Minimum distance from the hob cut-out to the wall
- ** Position of the gas connection in the cut-out

Measurements in mm