

**Serie | 6, Modular Teppan Yaki, 40 cm
PKY475FB1E****Included accessories**

2 x spatula

Optional accessories

HEZ394301 : Connecting strip

**The Teppan Yaki hob of the Domino
programme: roast and cook the traditional
Japanese way.**

- **Cleaning setting:** Heats the appliance to 40°C to remove grease easily
- **40cm width:** For easy combining with other dominos and ComfortProfile hobs
- **Glass-ceramic cover:** elegant hob cover that is easy to clean.
- **Warming setting:** Keep food warm at an optimal temperature of 70°C
- **DirectSelect:** Direct, simple selection of the desired cooking zone, power and additional functions.

Technical Data

Product name/family : Vario/Domino Teppan Yaki

Built-in / Free-standing : Built-in

Energy input : Electric

Type of control : Electronic

Grill grating material : N/A

Required niche size for installation (HxWxD) : 90 x x mm

Width of the appliance : 396 mm

Dimensions : 90 x 396 x 527 mm

Dimensions of the packed product (HxWxD) : 230 x 480 x 610 mm

Net weight : 9.931 kg

Gross weight : 12.0 kg

Residual heat indicator : Separate

Location of control panel : Hob front

Basic surface material : N/A

Color of surface : Alu, brushed, Stainless steel

Approval certificates : CE, Morocco, VDE

Length electrical supply cord : 100 cm

Connection Rating : 1900 W

Fuse protection : 13 A

Voltage : 220-240 V

Frequency : 50; 60 Hz



4 242002 835891

Serie | 6, Modular Teppan Yaki, 40 cm PKY475FB1E

The Teppan Yaki hob of the Domino programme: roast and cook the traditional Japanese way.

Hob Type

- Big stainless steel plate
- Can be combined with other Bosch hobs

Design

- Ceramic glass base
- FullTouch TFT Display

Key Functions

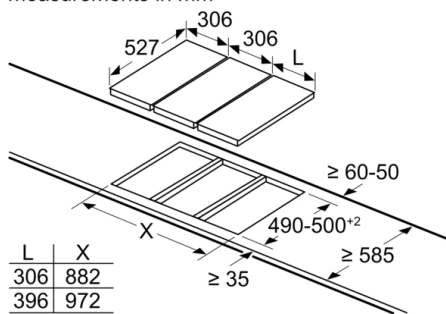
- Frying area can be heated complete or halfway
- Thermostat can be set between 160-240 °C in steps of 10°
- Special level for keeping warm (70°C)
- Special level for cleaning (40°C)
- Count-up timer
- Display of the heat up phase
- 2 stage residual heat indicator

Dimensions

- Dimensions of the product (HxWxD mm) : 90 x 396 x 527
- Length electrical supply cord: 100 cm
- Total connected load: 1900 W
- Required niche size for installation (HxWxD mm) : 90 x 360 x 490 - 500

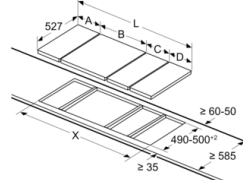
Serie | 6, Modular Teppan Yaki, 40 cm PKY475FB1E

measurements in mm



When installing two or more Domino units side-by-side, one or more assembly kits are required (2 units = 1 assembly kit, 3 units = 2 assembly kits, etc.).

measurements in mm
Picture for the table Domino combination possibilities with corresponding devices and cut-out dimensions



If two or more elements are installed right next to one another, one or several installation kits are required (2 elements 1 installation kit, 3 elements 2 installation kits, etc.).

Cutout dimension (X) depending on the combination see table:

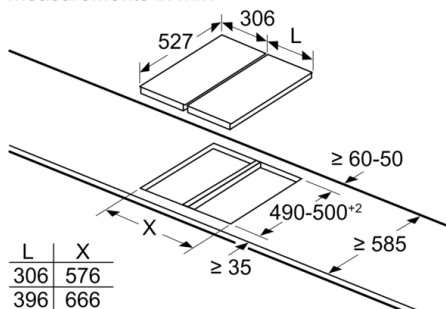
measurements in mm

Domino combination options with corresponding appliance and cut-out dimensions

Width category:
Appliance width:

	A	B	C	D	L	X
2x30	306	306	-	-	612	576
1x30, 1x40	306	396	-	-	702	666
1x30, 1x60	306	606	-	-	912	876
1x30, 1x70*	306	710	-	-	1016	980
1x30, 1x80	306	816	-	-	1122	1086
1x30, 1x90	306	916	-	-	1222	1186
2x40	396	396	-	-	792	756
1x40, 1x60	396	606	-	-	1002	966
1x40, 1x70*	396	710	-	-	1106	1070
1x40, 1x80	396	816	-	-	1212	1176
1x40, 1x90	396	916	-	-	1312	1276
3x30	306	306	306	-	918	882
2x30, 1x40	306	306	396	-	1008	972
2x30, 1x60	306	306	606	-	1218	1182
2x30, 1x70*	306	306	710	-	1322	1286
2x30, 1x80	306	306	816	-	1428	1392
2x30, 1x90	306	306	916	-	1528	1492
1x30, 2x40	306	396	396	-	1098	1062
1x30, 1x40, 1x60	306	396	606	-	1308	1272
1x30, 1x40, 1x70*	306	396	710	-	1412	1376
1x30, 1x40, 1x80	306	396	816	-	1518	1482
1x30, 1x40, 1x90	306	396	916	-	1618	1582
2x40, 1x60	396	396	606	-	1398	1362
4x30	306	306	306	306	1224	1188

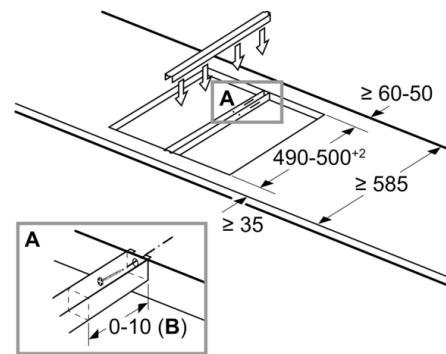
measurements in mm



When installing two or more Domino units side-by-side, one or more assembly kits are required (2 units = 1 assembly kit, 3 units = 2 assembly kits, etc.).

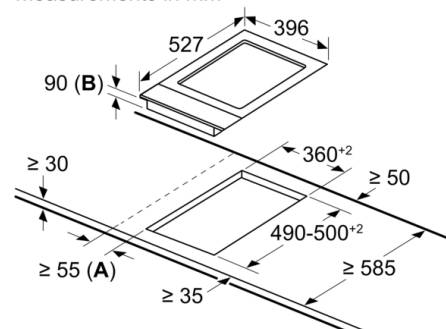
measurements in mm

Assembly kit (HEZ394301) for Domino



B: Dependent on the cut-out depth

measurements in mm



A: Minimum distance from the hob cut-out to the wall

B: Maximum recessed depth