

**Series 6, Domino grill, 30 cm  
PKU375FB1E**



**The Lava Grill hob of the Domino programme: grill perfectly using the intense, even heat of lava stones.**

- **Comfort Profile:** elegant, appealing design with bevelled front and metal strips on the side.
- **Glass-ceramic cover:** elegant hob cover that is easy to clean.
- **Restart:** restores hob settings in case of an unintentional hob switch-off.
- **Child Lock:** locks the control panel to prevent unauthorized use.
- **Energy consumption display:** shows energy consumption for the most recent cooking process.

Frequency: ..... 50; 60 Hz  
 Product name/family: .....Vario/Domino barbecue grill  
 Built-in / Free-standing: ..... Built-in  
 Energy input: .....Electric  
 Type of control: .....Electronic  
 Grill grating material: ..... Cast iron  
 Min. required niche size for installation (HxWxD): .....235 x x mm  
 Width of the appliance: ..... 306 mm  
 Dimensions: ..... 235 x 306 x 527 mm  
 Dimensions of the packed product (HxWxD): ..... 280 x 390 x 610 mm  
 Net weight: ..... 12.4 kg  
 Gross weight: ..... 14.4 kg  
 Residual heat indicator: ..... Separate  
 Location of control panel: ..... Front  
 Basic surface material: ..... Cast iron  
 Color of surface: ..... Black, Alu, brushed  
 Length electrical supply cord: ..... 100.0 cm  
 Connection rating: ..... 2400 W  
 Fuse protection: ..... 13 A  
 Voltage: ..... 220-240 V  
 Included accessories: ..... 1 x lava stones

1 x lava stones



- HEZ394301 Connecting strip  
 HEZ398300 Lavastones

## Series 6, Domino grill, 30 cm PKU375FB1E

**The Lava Grill hob of the Domino programme: grill perfectly using the intense, even heat of lava stones.**

---

### **Hob Type**

- 1 big grill surface
- Can be combined with other A01 hobs

### **Design**

- Ceramic glass base with stainless steel frame
- Cast iron grill with lava stones
- FullTouch TFT Display

### **Key Functions**

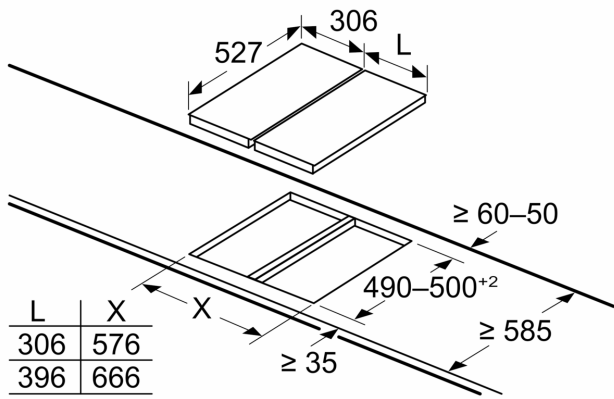
- Variable 17-stage power settings for each zone
- Count-up timer
- Display of the heat up phase
- 2 stage residual heat indicator
- Childproof lock

### **Dimensions**

- Dimensions of the product (HxWxD mm) : 235 x 306 x 527
- Length electrical supply cord: 100 cm
- Total connected load: 2400 W
- Required niche size for installation (HxWxD mm) : 235 x 270 x 490 - 500

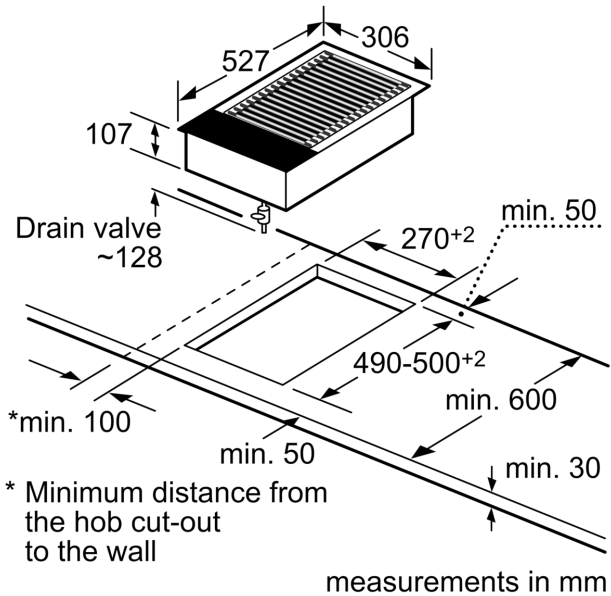
**Series 6, Domino grill, 30 cm**  
**PKU375FB1E**

Measurements in mm

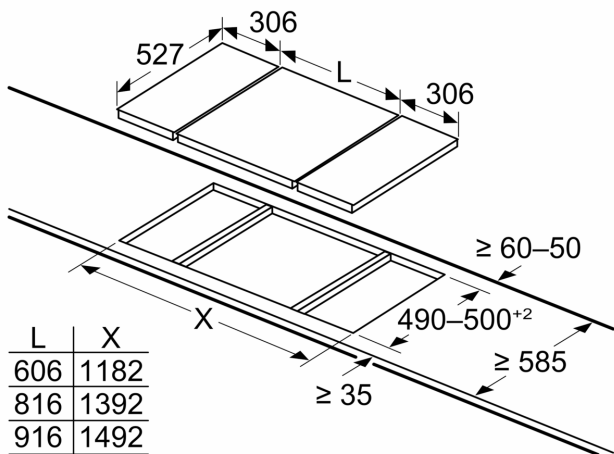


L	X
306	576
396	666

If two or more elements are installed right next to one another, one or several installation kits are required (2 elements 1 installation kit, 3 elements 2 installation kits, etc.)



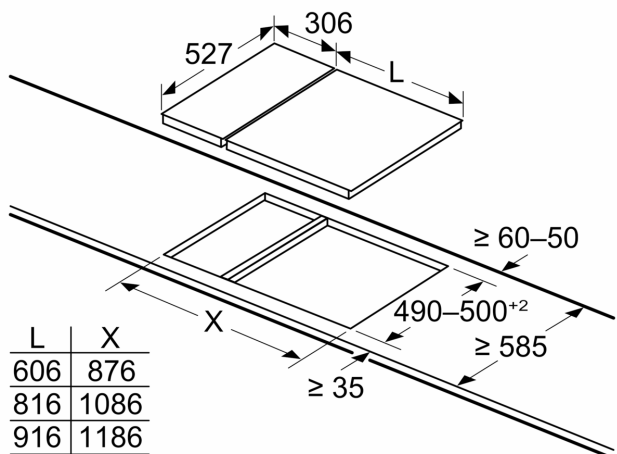
Measurements in mm



L	X
606	1182
816	1392
916	1492

When installing two Domino units right next to a hob, two assembly kits (HEZ394301) are required

Measurements in mm



L	X
606	876
816	1086
916	1186

When installing two Domino units right next to a hob, two assembly kits (HEZ394301) are required

