

**Serie | 2, Domino electric hob, 30 cm,
Black
PKF375CA1E**



**The radiant hob of the Domino programme:
makes cooking and cleaning especially
easy.**

Technical Data

Product name/family :	Vario/Domino cooking zone cera
Built-in / Free-standing :	Built-in
Energy input :	Electric
Total number of positions that can be used at the same time :	2
Required niche size for installation (HxWxD) :	48 x x
Width of the appliance :	306
Dimensions :	48 x 306 x 527
Dimensions of the packed product (HxWxD) (mm) :	120 x 375 x 590
Net weight (kg) :	4.804
Gross weight (kg) :	5.5
Basic surface material :	Ceramic
Color of surface :	Alu, brushed, Black
Approval certificates :	CE, VDE
Length electrical supply cord (cm) :	100
Connection Rating (W) :	3200
Current (A) :	16
Voltage (V) :	220-240
Frequency (Hz) :	60; 50

Optional accessories

HEZ390090 : Wok Set consisting of 3 Items

HEZ394301 : Connecting strip



Serie | 2, Domino electric hob, 30 cm, Black PKF375CA1E

**The radiant hob of the Domino programme:
makes cooking and cleaning especially easy.**

Cooking Zone

- 2 Radiant cooking zones, including: 1 dual zone
- Variable 9 stage-powerPower Settings For Each Zone
- Cooking Zones:
 - 1 x Ø 145 mm, 1200 W
 - 1 x Ø 180 mm, 800 W

Design

- Comfort profile (ceramic front facette with stainless steel side trim)
- Can be combined with other Bosch hobs
- Easy to control knobs

Key Functions

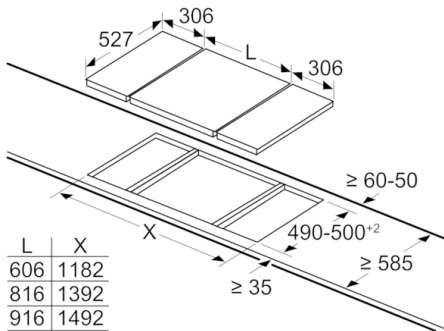
- 2 power on indicator lights
- Residual heat indicator for each zone

Dimensions

- Dimensions of the product (HxWxD mm) : 48 x 306 x 527
- Electrical connection rating: 3200 W

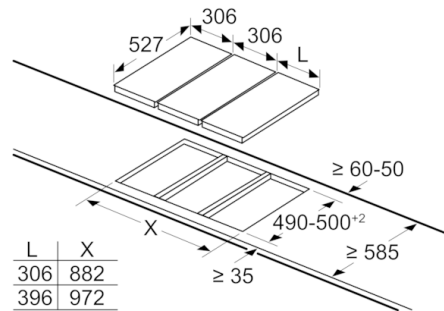
Serie | 2, Domino electric hob, 30 cm, Black PKF375CA1E

measurements in mm



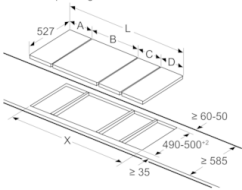
When installing two Domino units right next to a hob, two assembly kits (HEZ394301) are required.

measurements in mm



When installing two or more Domino units side-by-side, one or more assembly kits are required (2 units = 1 assembly kit, 3 units = 2 assembly kits, etc.).

measurements in mm
Picture for the table Domino combination possibilities with corresponding devices and cutout dimensions



If two or more elements are installed right next to one another, one or several installation kits are required (2 elements 1 installation kit, 3 elements 2 installation kits, etc.).

Cutout dimension (X) depending on the combination see table:

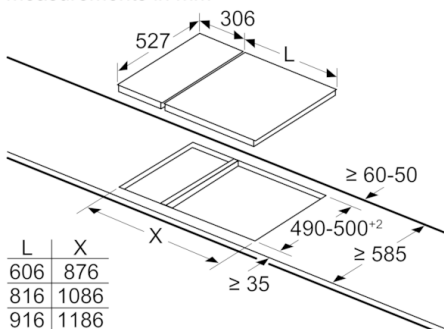
measurements in mm

Domino combination options with corresponding appliance and cut-out dimensions

Width category:
Appliance width:

	A	B	C	D	L	X		
2x30	306	306	-	-	612	576		
1x30, 1x40	306	396	-	-	702	666		
1x30, 1x60	306	606	-	-	912	876		
1x30, 1x70*	306	710	-	-	1016	980		
1x30, 1x80	306	816	-	-	1122	1086		
1x30, 1x90	306	916	-	-	1222	1186		
2x40	396	396	-	-	792	756		
1x40, 1x60	396	606	-	-	1002	966		
1x40, 1x70*	396	710	-	-	1106	1070		
1x40, 1x80	396	816	-	-	1212	1176		
1x40, 1x90	396	916	-	-	1312	1276		
3x30	306	306	306	-	918	882		
2x30, 1x40	306	306	396	-	1008	972		
2x30, 1x60	306	306	606	-	1218	1182		
2x30, 1x70*	306	306	710	-	1322	1286		
2x30, 1x80	306	306	816	-	1428	1392		
2x30, 1x90	306	306	916	-	1528	1492		
1x30, 2x40	306	396	396	-	1098	1062		
1x30, 1x40, 1x60	306	396	606	-	1308	1272		
1x30, 1x40, 1x70*	306	396	710	-	1412	1376		
1x30, 1x40, 1x80	306	396	816	-	1518	1482		
1x30, 1x40, 1x90	306	396	916	-	1618	1582		
2x40, 1x60	396	396	606	-	1398	1362		
4x30	306	306	306	306	1224	1188		

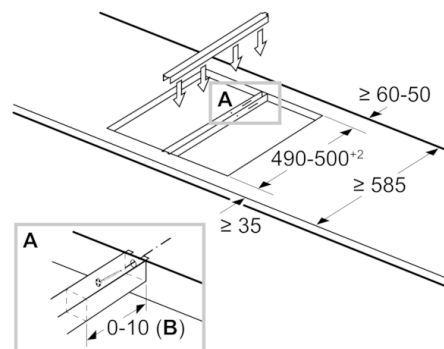
measurements in mm



When installing a Domino unit right next to a hob, an assembly kit (HEZ394301) is required.

measurements in mm

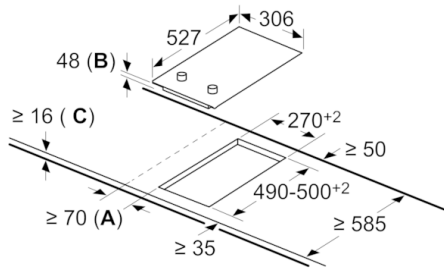
Assembly kit (HEZ394301) for Domino



B: Dependent on the cut-out depth

Serie | 2, Domino electric hob, 30 cm, Black PKF375CA1E

measurements in mm



- A:** Minimum distance from the hob cut-out to the wall.
- B:** Recessed depth
- C:** With fitted oven underneath min. 20, possibly more; see space requirements for the oven.