

**Series 8, Induction hob, 60 cm,
Black,
PIN675N17E**



**The FlexInduction hob: you can place
multiple pots and pans or large cookware
anywhere on the flexible cooking zone.**

- **FlexInduction Zone:** Get more flexibility by combining the cooking zones into one big zone for placing small pots and large cookware.
- **Power Boost:** up to 35% faster heating compared to highest power level.
- **Timer with switch-off function:** turns off the assigned cooking zone after the set time.
- **Child Lock:** locks the control panel to prevent unauthorized use.
- **Induction:** Fast, precise cooking, easy cleaning and low energy consumption.

- HEZ390011 Stainless Steel roaster with glas lid
- HEZ390012 Steaming Rack for Stainless Steel roaste
- HEZ390042 Set of 3 pots and 1 pan
- HEZ390090 Wok Set consisting of 3 Items
- HEZ390511 Teppan Yaki (small)
- HEZ390512 Teppan Yaki (large)
- HEZ390522 Griddle Plate

Product name/family: Cooking zone ceramic
 Built-in / Free-standing: Built-in
 Energy input: Electric
 Total number of positions that can be used at the same time: 4
 Min. required niche size for installation (HxWxD): 51 x 560-560 x 490-500 mm
 Width of the appliance: 606 mm
 Dimensions: 51 x 606 x 527 mm
 Dimensions of the packed product (HxWxD): 118 x 746 x 604 mm
 Net weight: 13.3 kg
 Gross weight: 14.6 kg
 Residual heat indicator: Separate
 Location of control panel: Front
 Basic surface material: Ceramic
 Color of surface: Black, Alu
 Color of frame: Alu
 Length electrical supply cord: 110.0 cm
 Sealed Burners: No
 heating with booster: All
 Power of 2nd heating element (kW): 3.3 kW
 Power of 5th heating element (kW): 1.4 kW
 Power of 5th heating element (kW in boost): [1.8] kW
 Connection rating: 7200 W
 Voltage: 220-240 V
 Frequency: 50; 60 Hz
 Energy input: Electric
 Plug type: no plug
 Appliance Dimensions (h x w x d) (in): x x
 Dimensions of the packed product: 4.64 x 23.77 x 29.37
 Net weight: 29.000 lbs
 Gross weight: 32.000 lbs
 Total number of positions that can be used at the same time: 4
 Length electrical supply cord: 110.0 cm
 Min. required niche size for installation (HxWxD): 51 x 560-560 x 490-500 mm
 Dimensions: 51 x 606 x 527 mm
 Dimensions of the packed product (HxWxD): 118 x 746 x 604 mm
 Net weight: 13.3 kg
 Gross weight: 14.6 kg



**Series 8, Induction hob, 60 cm,
Black,
PIN675N17E**

**The FlexInduction hob: you can place
multiple pots and pans or large cookware
anywhere on the flexible cooking zone.**

Design

- Comfort profile (ceramic front facette with stainless steel side trim)
- Can be combined with all hobs in comfort design

Comfort

- 4 induction cooking zones
- FlexInduction cooking zone
- FullTouch TFT Display
- Variable 17-stage power settings for each zone
- Switch off timer for every cooking zone

Environment+safety:

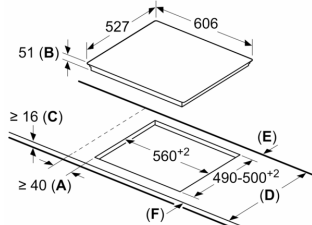
- Timer limit automatic shut off function
- Wipe protection function
- 2 stage residual heat indicator
- Childproof lock
- Safety switch-off
- PowerManagement Function
- Main on/off switch

Technical information

- Boost function for all zones
- Total connected load: 7.2 KW

**Series 8, Induction hob, 60 cm,
Black,
PIN675N17E**

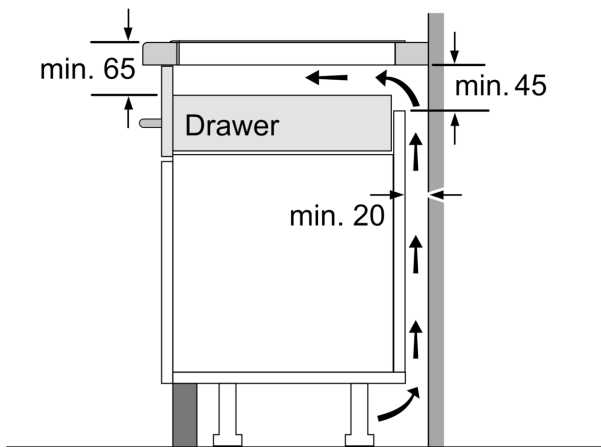
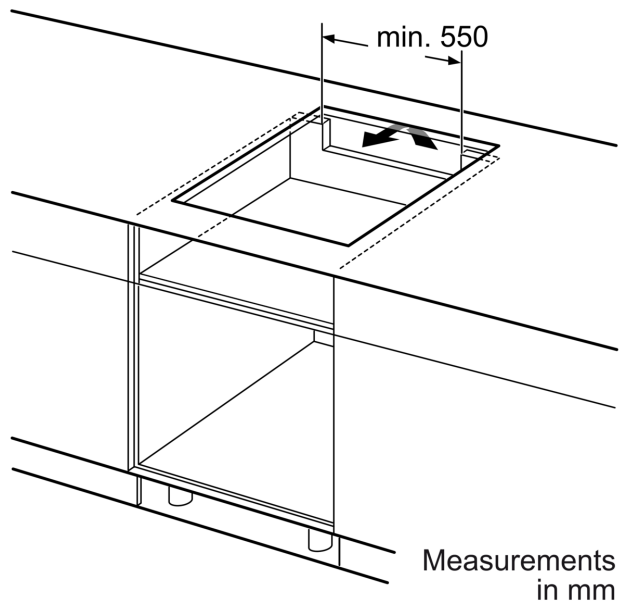
measurements in mm



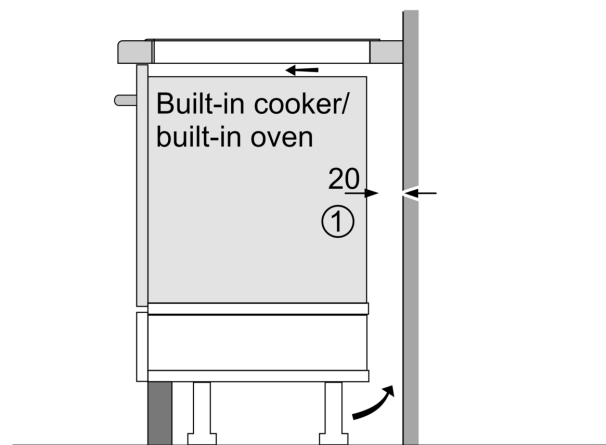
- A:** Minimum distance from the hob cut-out to the wall.
- B:** Recessed depth
- C:** The clearance between the surface of the worktop and the top of the front of the oven must be 30 mm. See space requirements for the oven.

The worktop into which the hob is installed must withstand loads of approx. 60 kg; suitable substructures must be used if required.

D	E	F
585-600	50	≥ 35
> 600	≥ 50	≥ 50



Measurements in mm



① Ventilation gap must be present.

Measurements in mm