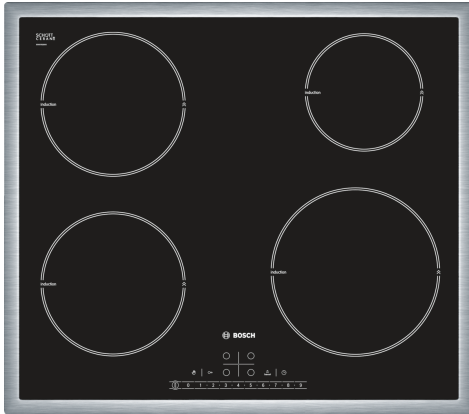


**Series 6, Induction hob, 60 cm,  
Black,  
PIE645F17E**



- **DirectSelect:** Direct, simple selection of the desired cooking zone, power and additional functions.
- **Power Boost:** up to 35% faster heating compared to highest power level.
- **Quick Start:** start straight away and select the desired cooking level.
- **Restart:** restores hob settings in case of an unintentional hob switch-off.
- **Timer with switch-off function:** turns off the assigned cooking zone after the set time.

Product name/family: ..... Cooking zone ceramic  
 Built-in / Free-standing: ..... Built-in  
 Energy input: ..... Electric  
 Total number of positions that can be used at the same time: ..... 4  
 Min. required niche size for installation (HxWxD): ..... 55 x 560-560 x 490-500 mm  
 Width of the appliance: ..... 583 mm  
 Dimensions: ..... 55 x 583 x 513 mm  
 Dimensions of the packed product (HxWxD): ..... 118 x 746 x 604 mm  
 Net weight: ..... 10.9 kg  
 Gross weight: ..... 11.9 kg  
 Residual heat indicator: ..... Separate  
 Location of control panel: ..... Front  
 Basic surface material: ..... Ceramic  
 Color of surface: ..... Black, Stainless steel  
 Color of frame: ..... Stainless steel  
 Length electrical supply cord: ..... 110.0 cm  
 Sealed Burners: ..... No  
 heating with booster: ..... All  
 Power of heating element (kW): ..... 1.8 kW  
 Power of 3rd heating element (kW): ..... 1.8 kW  
 Power of 5th heating element (kW): ..... 1.4 kW  
 Power of heating element (kW in boost): ..... [2.8] kW  
 Power of 3rd heating element (kW in boost): ..... [2.8] kW  
 Power of 5th heating element (kW in boost): ..... [1.8] kW  
 Connection rating: ..... 7200 W  
 Voltage: ..... 220-240 V  
 Frequency: ..... 50; 60 Hz  
 Energy input: ..... Electric  
 Plug type: ..... no plug  
 Appliance Dimensions (h x w x d) (in): ..... x x  
 Dimensions of the packed product: ..... 4.64 x 23.77 x 29.37  
 Net weight: ..... 24.000 lbs  
 Gross weight: ..... 26.000 lbs  
 Total number of positions that can be used at the same time: ..... 4  
 Length electrical supply cord: ..... 110.0 cm  
 Min. required niche size for installation (HxWxD): ..... 55 x 560-560 x 490-500 mm  
 Dimensions: ..... 55 x 583 x 513 mm  
 Dimensions of the packed product (HxWxD): ..... 118 x 746 x 604 mm  
 Net weight: ..... 10.9 kg  
 Gross weight: ..... 11.9 kg



## **Series 6, Induction hob, 60 cm, Black, PIE645F17E**

---

### **Performance**

- 4 induction cooking zones
- - Rear left: 1.8kWwith booster
- 2.8 KW (Ø180mm)
- - Rear right:1.4kW with booster 1.8kW (Ø145mm)
- - Front left:1.8kW with booster 2.8kW (Ø180mm)
- - Front right:2.2kW with booster 3.7kW (Ø210mm)
- Variable 17-stage power settings for each zone
- DirectSelect touch control

### **Features**

- Automatic pan recognition sensor
- Switch off timer for every cooking zone
- Boost function for all zones

### **Design**

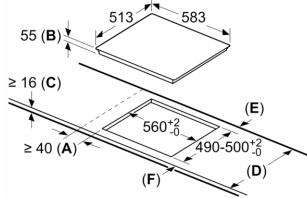
- Basic frame
- Electronic display
- Main on/off switch

### **Safety functions**

- 2 stage residual heat indicator
- Childproof lock
- Safety switch-off
- Small cookware detection
- Anti overflow protection
- Wipe protection function
- PowerManagement Function

**Series 6, Induction hob, 60 cm,  
Black,  
PIE645F17E**

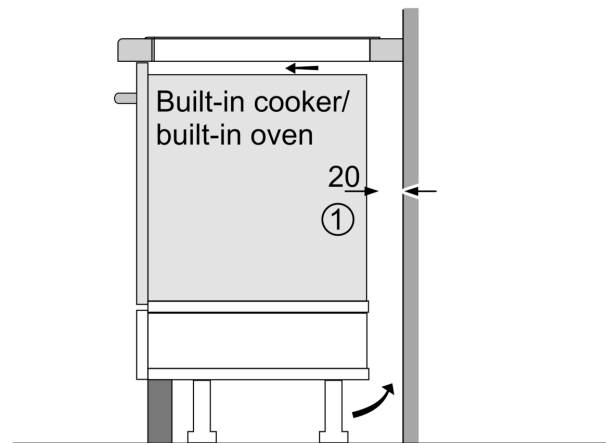
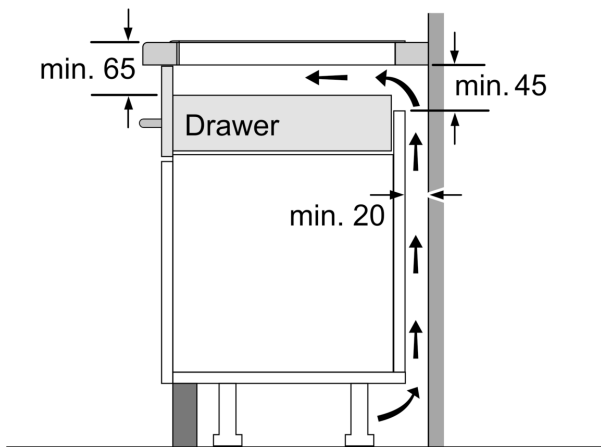
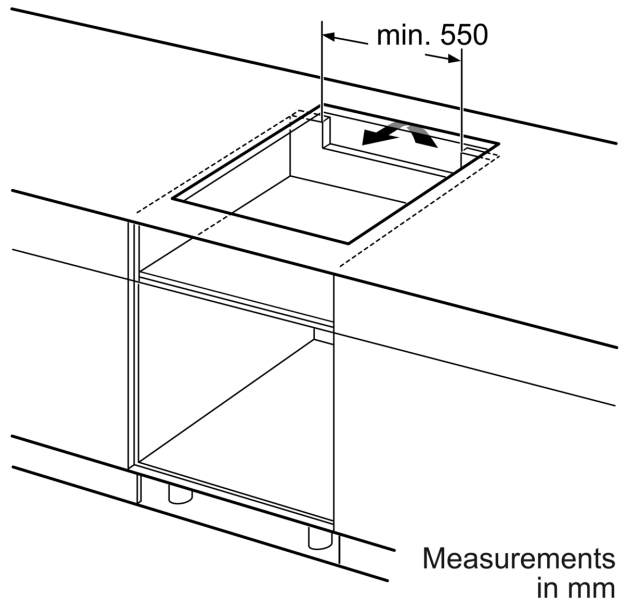
measurements in mm



- A: Minimum distance from the hob cut-out to the wall.
- B: Recessed depth
- C: The clearance between the surface of the worktop and the top of the front of the oven must be 30 mm. See space requirements for the oven.

The worktop into which the hob is installed must withstand loads of approx. 60 kg; suitable substructures must be used if required.

D	E	F
585-600	50	≥ 35
> 600	≥ 50	≥ 50



① Ventilation gap must be present.