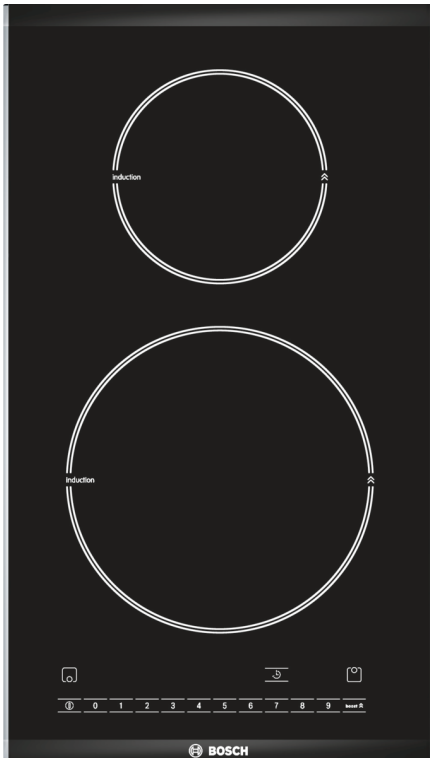


Series 6, Domino induction hob, 30 cm, Black, PIE375N14E



The induction hob of the Domino programme: cook quickly, safely and cleanly with low energy consumption.

- **Comfort Profile:** elegant, appealing design with bevelled front and metal strips on the side.
- **Power Boost:** up to 35% faster heating compared to highest power level.
- **Timer with switch-off function:** turns off the assigned cooking zone after the set time.
- **Induction:** Fast, precise cooking, easy cleaning and low energy consumption.

Product name/family: Vario/Domino cooking zone cera
 Built-in / Free-standing: Built-in
 Energy input: Electric
 Total number of positions that can be used at the same time: 2
 Min. required niche size for installation (HxWxD): 51 x 270 x 490-500 mm
 Width of the appliance: 306 mm
 Dimensions: 51 x 306 x 527 mm
 Dimensions of the packed product (HxWxD): 113 x 376 x 591 mm
 Net weight: 5.5 kg
 Gross weight: 6.1 kg
 Residual heat indicator: Separate
 Location of control panel: Front
 Basic surface material: Ceramic
 Color of surface: Black, Stainless steel
 Color of frame: Stainless steel
 Length electrical supply cord: 110.0 cm
 Connection rating: 3700 W
 Voltage: 220-240 V
 Frequency: 50; 60 Hz



- HEZ390020 set of 1 pot and 1 pan for induction hob
 HEZ390090 Wok Set consisting of 3 Items
 HEZ394301 Connecting strip

**Series 6, Domino induction hob, 30
cm, Black,
PIE375N14E**

**The induction hob of the Domino
programme: cook quickly, safely and
cleanly with low energy consumption.**

Performance

- 2 Induction cooking zones
- - Front: 2.2 KW (Ø210 mm)
- - Rear: 1.4 KW (Ø145 mm)
- 9 stage-power
- FullTouch TFT Display

Features

- Automatic pan recognition sensor
- Switch off timer for every cooking zone
- Boost function for all zones

Design

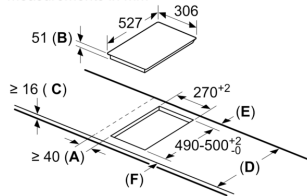
- Comfort profile (ceramic front facette with stainless steel side trim)
- Can be combined with all hobs in comfort design
- Electronic display
- Main on/off switch

Safety functions

- 2 stage residual heat indicator
- Safety switch-off
- Small cookware detection
- PowerManagement Function

Series 6, Domino induction hob, 30 cm, Black, PIE375N14E

measurements in mm

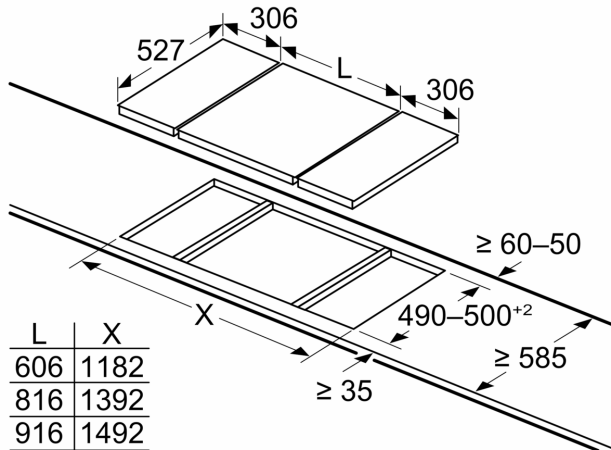


- A: Minimum distance from the hob cut-out to the wall.
- B: Recessed depth
- C: The clearance between the surface of the worktop and the top of the front of the oven must be 30 mm. See space requirements for the oven.

The worktop into which the hob is installed must withstand loads of approx. 60 kg; suitable substructures must be used if required.

D	E	F
585-600	50	≥ 35
> 600	≥ 50	≥ 50

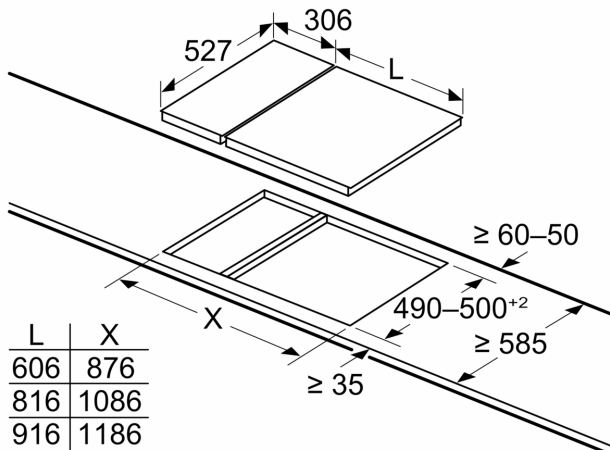
Measurements in mm



L	X
606	1182
816	1392
916	1492

When installing two Domino units right next to a hob, two assembly kits (HEZ394301) are required

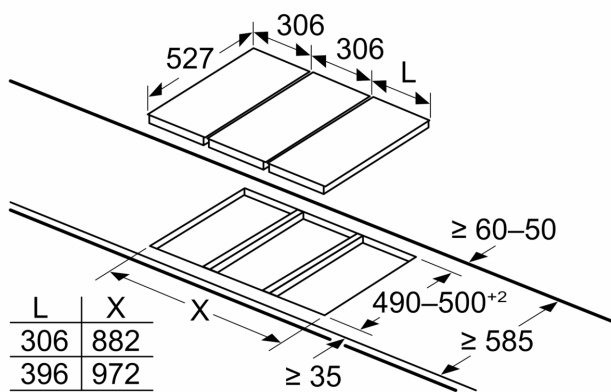
Measurements in mm



L	X
606	876
816	1086
916	1186

When installing two Domino units right next to a hob, two assembly kits (HEZ394301) are required

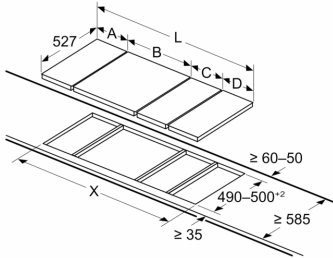
Measurements in mm



L	X
306	882
396	972

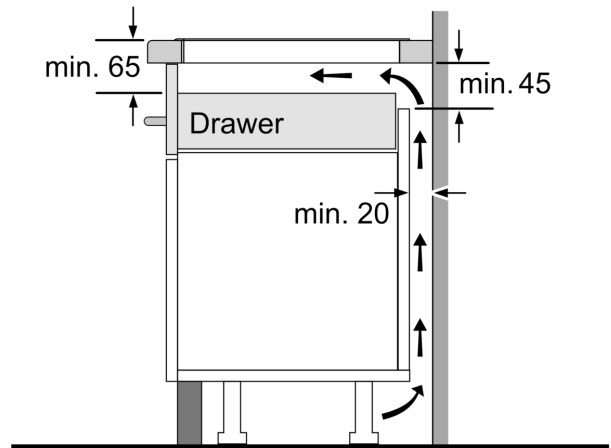
If two or more elements are installed right next to one another, one or several installation kits are required (2 elements 1 installation kit, 3 elements 2 installation kits, etc.)

Measurements in mm
Picture for the table Domino combination possibilities with corresponding devices and cutout dimensions

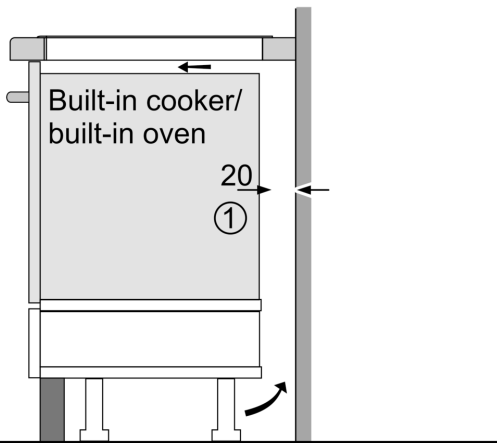


If two or more elements are installed right next to one another, one or several installation kits are required (2 elements 1 installation kit, 3 elements 2 installation kits, etc.)

Cutout dimension (X) depending on the combination (see combination table)



Measurements in mm



① Ventilation gap must be present.

Measurements in mm

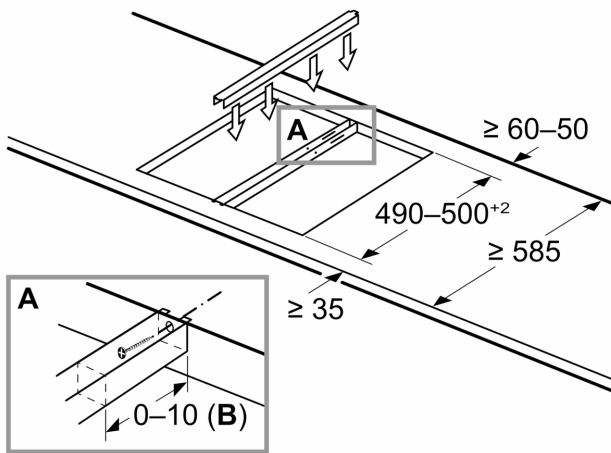
measurements in mm
 Domino combination options with corresponding appliance and cut-out dimensions

Width category:
 Appliance width:

	A	B	C	D	L	X		
2x30	306	306	-	-	-	612	576	
1x30, 1x40	306	396	-	-	-	702	666	
1x30, 1x60	306	606	-	-	-	912	876	
1x30, 1x70*	306	710	-	-	-	1016	980	
1x30, 1x80	306	816	-	-	-	1122	1086	
1x30, 1x90	306	916	-	-	-	1222	1186	
2x40	396	396	-	-	-	792	756	
1x40, 1x60	396	606	-	-	-	1002	966	
1x40, 1x70*	396	710	-	-	-	1106	1070	
1x40, 1x80	396	816	-	-	-	1212	1176	
1x40, 1x90	396	916	-	-	-	1312	1276	
3x30	306	306	306	-	-	918	882	
2x30, 1x40	306	306	396	-	-	1008	972	
2x30, 1x60	306	306	606	-	-	1218	1182	
2x30, 1x70*	306	306	710	-	-	1322	1286	
2x30, 1x80	306	306	816	-	-	1428	1392	
2x30, 1x90	306	306	916	-	-	1528	1492	
1x30, 2x40	306	396	396	-	-	1098	1062	
1x30, 1x40, 1x60	306	396	606	-	-	1308	1272	
1x30, 1x40, 1x70*	306	396	710	-	-	1412	1376	
1x30, 1x40, 1x80	306	396	816	-	-	1518	1482	
1x30, 1x40, 1x90	306	396	916	-	-	1618	1582	
2x40, 1x60	396	396	606	-	-	1398	1362	
4x30	306	306	306	306	-	1224	1188	
3x30, 1x40	306	306	306	396	-	1314	1278	
1x30, 1x75	306	750	-	-	-	1056	1020	
1x40, 1x75	396	750	-	-	-	1146	1110	
2x30, 1x75	306	306	750	-	-	1362	1326	
1x30, 1x40, 1x75	306	396	750	-	-	1452	1416	

* Not possible with 70 cm induction hob

Measurements in mm
Assembly kit (HEZ394301) for Domino



B: Dependent on the cut-out depth