

**Series 8, French door bottom freezer, multi door, 183 x 90.6 cm, Graphite KFN96PX91I**



- **Multiairflow system:** Minimises fluctuating temperatures by ensuring optimal and uniform air circulation in the fridge.
- **XXL capacity:** extra space for your food when you need it.
- **LED lighting:** keep your groceries in perfect view.
- **Big Box drawer:** for stacking storage containers or for large frozen food items.

Energy Efficiency Class (Regulation (EU) 2017/1369):	..... E
Average annual energy consumption in kilowatt hour per year (kWh/a) (EU) 2017/1369:	.....304 kWh/annum
Sum of volume of frozen compartments (EU 2017/1369):	..... 170 l
Sum of volume of chill- and unfrozen compartments (EU 2017/1369):	..... 0 l
Airborne acoustical noise emissions (EU 2017/1369):	..39 dB(A) re 1 pW
Airborne acoustical noise emission class (EU 2017/1369):	..... D
Built-in / Free-standing:	..... Free-standing
Number of compressors:	.....2
Number of independent cooling systems:	.....2
Width of the appliance:	.....906 mm
Height:	..... 1830 mm
Depth of the product:	..... 710 mm
Net weight:	.....173.9 kg
Door panel options:	..... Not possible
Door hinge:	..... Other
Number of Adjustable Shelves in fridge compartment:	.....5
Shelves for Bottles:	..... No
Frost free system:	..... Fridge and freezer
Interior ventilator:	..... Yes
Reversible Door Hinge:	..... No
Length electrical supply cord:	..... 240.0 cm
Noise level:	.....39 dB(A) re 1 pW
Multi-Flow Air Tower:	..... Yes
Fast cooling switch:	.....Yes
Fast freezing switch:	.....Yes
Temperature Controlled Drawer:	..... No
Humidity Control Drawer:	.....Yes
Number of Door Bins - Refrigerator:	.....5
Door bin adjustability - Refrigerator:	..... Yes
Tilt-out door bins in fridge:	.....Yes
Gallon Storage:	.....Yes
Number of Gallon storage:	.....2
Motorized Shelf:	..... No
Material of the shelves:	..... Safety glass
Door opened indicator freezer:	.....Yes
Automatic motor-driven ice-maker:	..... No
Connection rating:	..... 212 W
Fuse protection:	.....10 A
Voltage:	..... 220-240 V
Frequency:	..... 50-60 Hz
Storage Period in Event of Power Failure (h):	.....20 h
Door panel options:	..... Not possible
Noise level:	.....39 dB(A) re 1 pW
Energy Star Qualified:	.....No
Plug type:	..... India plug (6 Ampere)
Required cutout/niche size for installation (in):	.....x
Dimensions of the packed product:	..... 77.75 x 39.29 x 31.65
Net weight:	.....383.000 lbs
Gross weight:	..... 412.000 lbs



4 242005 204649

**Series 8, French door bottom  
freezer, multi door, 183 x 90.6 cm,  
Graphite  
KFN96PX91I**

---

**General Data**

- Gross Capacity Fridge: 425 l
- Gross Capacity(Freezer): 187 l
- Net Capacity (Total): 502L
- Net capacity(freezer) : 111 l

**Convenience & Safety**

- 6 safety glass shelves
- 3 drawers
- Freezing Capacity: 18 kg/ 24h

**Design and Styling**

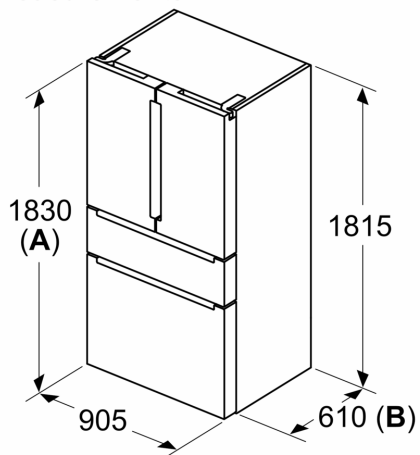
- Vertical Door handle

**Accessories**

**Series 8, French door bottom  
freezer, multi door, 183 x 90.6 cm,  
Graphite  
KFN96PX91I**

---

measurements in mm



**A:** Front is adjustable from 1830 to 1847,  
with front levelling feet fully extended.

**B:** Add 25 for fixed spacers on back.