

**Series 4, American side by side, 178.7 x 90.8 cm, Stainless steel (with anti-fingerprint)
KAN93VIFPG**



Included accessories

1 x egg tray

- **Capacity:** Large capacity with flexible spaces for storing groceries of different sizes
- **LED light:** illuminates the refrigerator evenly without glare, for the life of the appliance.
- **VarioZone:** more flexibility due to variable-use glass shelves and drawers in the freezer compartment
- **Multiairflow system:** Minimises fluctuating temperatures by ensuring optimal and uniform air circulation in the fridge.

Technical Data

Energy Efficiency Class (Regulation (EU) 2017/1369): F
 Average annual energy consumption in kilowatt hour per year (kWh/a) (EU) 2017/1369: 413 kWh/annum
 Sum of volume of frozen compartments (EU 2017/1369): 208 l
 Sum of volume of chill compartments (EU 2017/1369): 372 l
 Airborne acoustical noise emissions (EU 2017/1369): 42 dB(A) re 1 pW
 Airborne acoustical noise emission class (EU 2017/1369): D
 Built-in / Free-standing: Free-standing
 Number of compressors: 1
 Number of independent cooling systems: 1
 Width of the product: 908 mm
 Height: 1787 mm
 Depth of the product: 707 mm
 Net weight: 100.0 kg
 Door panel options: Not possible
 Door hinge: left and right
 Number of Adjustable Shelves in fridge compartment: 0
 Shelves for Bottles: No
 Interior ventilator: No
 Reversible Door Hinge: No
 Length electrical supply cord: 200 cm
 Noise level: 42 dB(A) re 1 pW
 Multi-Flow Air Tower: Yes
 Fast cooling switch: Yes
 Fast freezing switch: Yes
 Carbon Air Filter: No
 Temperature Controlled Drawer: No
 Humidity Control Drawer: No
 Number of Door Bins - Refrigerator: 5
 Door bin adjustability - Refrigerator: No
 Tilt-out door bins in fridge: No
 Number of Gallon storage: 3
 No. of shelves in fridge: 5
 Number of shelves - Freezer: 0
 Shelf Adjustability - Freezer: Yes
 Connection Rating: 230 W
 Fuse protection: 13 A
 Voltage: 220-240 V
 Frequency: 50 Hz
 Storage Period in Event of Power Failure (h): 4 h
 Color / Material body: Grey
 Door panel options: Not possible
 Noise level: 42 dB(A) re 1 pW
 Energy Star Qualified: No
 Required cutout/niche size for installation (in): x x
 Dimensions of the packed product: 74.68 x 38.66 x 30.70
 Net weight: 220.000 lbs
 Gross weight: 243.000 lbs
 Product name / Commercial code: KAN93VIFPG
 Included accessories: 1 x egg tray



Series 4, American side by side, 178.7 x 90.8 cm, Stainless steel (with anti-fingerprint) KAN93VIFPG

GENERAL INFORMATION

Design and Styling

- Grey
- Vertical Bar Handle
- Interior LED Light: Brighter lighting to help you to see the fridge interior more clearly

Convenience & Safety

- No Frost
- Internal analog display with digital display - at a glance perfectly under control!
- Separate temperature controls for Fridge and Freezer
- SuperCool Function: New food can be quickly cooled down to 2 degree celsius to prevent increase in internal temperature
- SuperFreezing Function: New food can be frozen quickly and not affect the temperature of "old" food
- Optical and acoustic door open warning system

Fridge Compartment

- Multi-Air Flow System: Better air circulation and more even temperature for food to stay fresher longer
- 3 Door Shelf, Large

FRESHNESS SYSTEM

- 2

Freezer Compartment

- 2 x Transparent Freezer Drawers
- 5 door trays in the freezing compartment

COMFORT & SAFETY

- Appliance adjustable on 4 roles

APPLIANCE DIMENSION

- Dimensions (H x W x D): 178.7 cm x 90.8 cm x 70.7 cm
- Voltage 220 - 240 V

Accessories

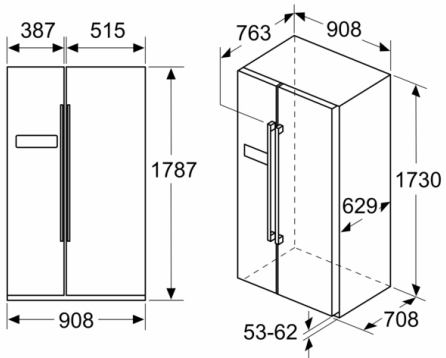
- 1 x egg tray

SPECIAL ACCESORIES

- Energy Consumption: 329 kWh/year

**Series 4, American side by side, 178.7 x 90.8 cm, Stainless steel (with anti-fingerprint)
KAN93VIFPG**

Measurements in mm



Measurements in mm

