

Serie | 8, Built-in oven with steam function, Stainless steel HSG636ES1



The steam oven with PerfectBake and PerfectRoast: you get perfect results, automatically and gently.

- **Steam baking:** by adding steam, foods turn out crispy on the outside and juicy on the inside.
- **DishAssist:** automatic setting of the optimal type of heat, temperature and time for countless dishes.
- **TFT touchscreen control:** easy-to-use thanks to the control ring with full text and images.
- **LED lighting:** perfect illumination of foods with minimum energy consumption.

Technical Data

Color / Material Front :	Stainless steel
Built-in / Free-standing :	Built-in
Door opening :	Drop down
Required niche size for installation (HxWxD) :	585-595 x 560-568 x 550
Dimensions of the product (mm) :	595 x 594 x 548
Dimensions of the packed product (HxWxD) (mm) :	675 x 660 x 690
Control Panel Material :	Stainless steel
Door Material :	Glass
Net weight (kg) :	41.527
Approval certificates :	CE, VDE
Length electrical supply cord (cm) :	120
Cooking method :	, 4D hot air, Bottom heat, Conventional heat, Defrost, fermentation, Full width grill, Half width grill, Hot Air-Eco, Hot air grilling, low temperature cooking, Pizza setting, pre-heating, Regeneration, Steam 100%, warming
Time-setting Options :	Start and Stop
Current (A) :	16
Voltage (V) :	220-240
Frequency (Hz) :	60; 50
Plug type :	Gardy plug w/ earthing
Approval certificates :	CE, VDE
Color / Material Front :	Stainless steel
Energy input :	Electric
Current (A) :	16
Voltage (V) :	220-240
Frequency (Hz) :	60; 50
Approval certificates :	CE, VDE
Plug type :	Gardy plug w/ earthing
Net weight (lbs) :	92.000
Gross weight (lbs) :	97

Included accessories

1 x enamel baking tray, 1 x steam container, punched, size S, 1 x steam container, punched, size XL, 1 x steam container, unpunched, size S, 1 x grid, 1 x universal pan

Optional accessories

HEZ327000 : Pizza stone
 HEZ36D163G : Steam container, punched, size S
 HEZ617000 : Pizza pan, anthracite enamelled
 HEZ633070 : Professional pan, anthracite enamelled
 HEZ635000 : Accessory
 HEZ636000 : Glass pan



Serie | 8, Built-in oven with steam function, Stainless steel HSG636ES1

**The steam oven with PerfectBake and
PerfectRoast: you get perfect results,
automatically and gently.**

Performance

- Combi-steam oven with 12 heating modes:
 - 4D hot air
 - Hot Air-Eco
 - Conventional heat
 - Conventional heat ECO
 - Hot air grilling
 - Full width grill
 - Half width grill
 - Pizza setting
 - Bottom heat
 - Low temperature cooking
 - Preheating
 - Keep warm
- Additional heating methods with steam:
 - Steam 100°C
 - Regeneration
 - Fermentation
 - Defrost
- Energy efficiency rating A+

Functions

- Ecolyse features: back panel
- Temperature range 30 °C - 250 °C

Features

- Cavity volume: 71 l
- Water tank capacity: with 1 l
- PerfectRoast multipoint temperature probe
PerfectBake baking sensor
- Supporting systems: Dish categories
- TFT colour and graphics display with direct touch function
- Rapid heating-up
- Oven functions:
 - Digital temperature display with proposal
 - Actual temperature display
 - Heating-up indicator
 - Sabbath setting

Design

- Intuitive Control Ring
- Electronic clock
- Enamel cavity anthracite

Safety Functions:

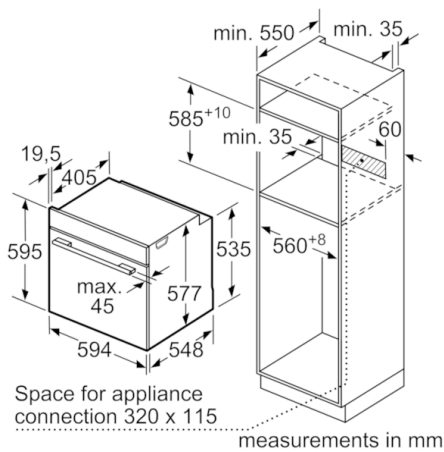
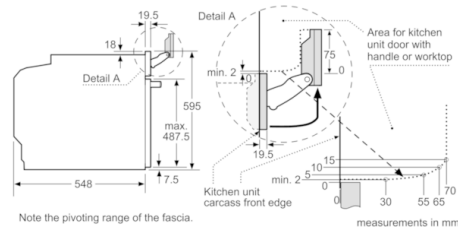
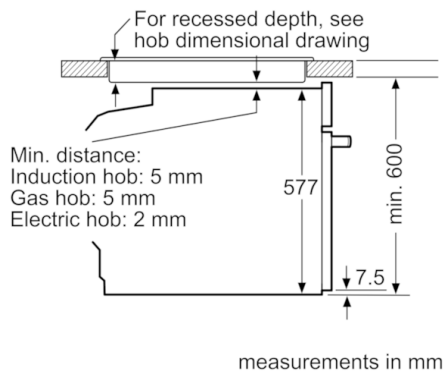
- Start and Stop button, Child lock, Residual heat indicator, Automatic switch off, door contact switch
- Maximum window temperature 40° C
- Full glass inner door
- Integral cooling fan

Technical Information

- Electrical connection rating: 3,600 W
- Length of mains cable: 120 cm
- Dimensions of the product (HxWxD mm) : 595 x 594 x 548
- Required niche size for installation (HxWxD mm): 585 - 595 x 560 - 568 x 550

**Serie | 8, Built-in oven with steam function,
Stainless steel
HSG636ES1**

Installation with a hob.



If the appliance will be installed underneath a hob, the following worktop thicknesses (including substructure if necessary) must be taken into account.

Hob type	min. worktop thickness	
	fitted	flush
Induction hob	37 mm	38 mm
Full surface Induction hob	47 mm	48 mm
Gas hob	30 mm	38 mm
Electric hob	27 mm	30 mm

