

**Series 8, Built-in warming drawer, 60 x 29 cm, Stainless steel  
HSC290652A**



**The multifunctional warming drawer for the 29 cm niche: for pre-heating plates, keeping food warm and low temperature cooking.**

---

Built-in / Free-standing: .....	Built-in
Maximum number of plates: .....	40
Maximum number of espresso cups: .....	120
Dimensions: .....	290 x 595 x 548 mm
Dimensions of the packed product (HxWxD): .....	350 x 650 x 660 mm
Min. required niche size for installation (HxWxD): .....	290 x 560 x 550 mm
Time control: .....	No
Fuse protection: .....	10 A
Voltage: .....	220-240 V
Frequency: .....	50; 60 Hz
Plug type: .....	AU plug
Required cutout/niche size for installation (in): .....	x
Dimensions of the packed product: .....	13.77 x 25.59 x 25.98
Net weight: .....	46.000 lbs
Gross weight: .....	51.000 lbs
Length electrical supply cord: .....	150.0 cm
Min. required niche size for installation (HxWxD): .....	290 x 560 x 550 mm
Dimensions: .....	290 x 595 x 548 mm
Dimensions of the packed product (HxWxD): .....	350 x 650 x 660 mm
Net weight: .....	21.1 kg
Gross weight: .....	23.1 kg

---



**Series 8, Built-in warming drawer, 60  
x 29 cm, Stainless steel  
HSC290652A**

**The multifunctional warming drawer for  
the 29 cm niche: for pre-heating plates,  
keeping food warm and low temperature  
cooking.**

---

**Performance**

- Stepless temperature control from 30 to 80°C
- Drawer interior volume:
  - 12 x 24 cm dinner plates - 12 x 10 cm soup bowls - 1 x 9 cm serving dish - 1 x 17 cm serving dish - 2 x 32 cm serving plate

**Features**

- Usable for:
  - Dough proving - Thawing foods - Keeping drinks and food warm - Pre-heating utensils
- Heating plate made of toughened glass

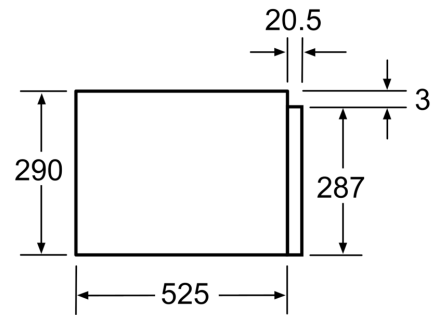
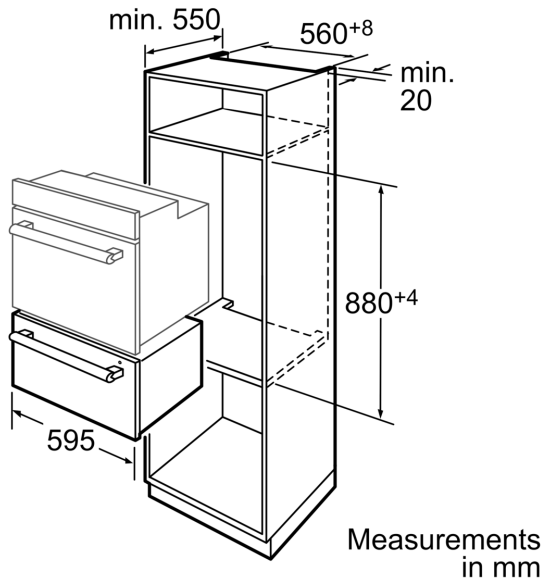
**Design**

- Stainless steel cavity
- Rotary temperature control dial
- Full metal bar handle
- Can be installed with oven or compact appliances

**Safety functions**

- Loading up to 25 kg
- telescop. full extension rails
- Cool door
- Operating indicator light

**Series 8, Built-in warming drawer, 60  
x 29 cm, Stainless steel  
HSC290652A**



Ovens with a height of 595 mm can be installed above a warming drawer in the HSC 29 range. An intermediate floor is not required.

Measurements in mm