

Series 8, Built-in oven with added steam and microwave function, 60 x 60 cm, Stainless steel HNG6764S1A



Included accessories

1 x grill tray
suit. pyrol. clean.
2 x combination grid
1 x universal pan

Optional accessories

HEZ633070 : Professional pan, anthracite enamelled
HEZ635000 : Barbecue-Set

The built-in oven with PerfectBake, PerfectRoast, microwave and added steam: perfect, crispy results, even when you're in a hurry.

- **Microwave function:** for quick warming up or for fast cooking in combination with hot air.
- **Flap door with SoftOpen and SoftClose:** the oven door opens and closes especially gently and quietly.
- **4D Hot Air:** even heat distribution for perfect results – on any level.
- **Added steam:** your foods turn out crispy on the outside and juicy on the inside.
- **Assist:** sets the optimal type of heat, temperature and time automatically for a wide range of dishes.

Technical Data

Type of micro-wave oven : MW-Combi
 Type of control : Electronic
 Color / Material Front : Stainless steel
 Dimensions : 595 x 594 x 548 mm
 Cavity dimensions : 357.0 x 480 x 392.0 mm
 Length electrical supply cord : 120.0 cm
 Net weight : 50.3 kg
 Gross weight : 53.8 kg
 Maximum micro-wave power : 800 W
 Number of Power Levels : 5
 Turntable : No
 Cavity material : Enamelled steel
 Door opening : Handle
 Clock : Yes
 Included accessories : 1 x grill tray, suit. pyrol. clean., 2 x combination grid, 1 x universal pan
 Main colour of product : Stainless steel
 Height of the appliance : 595 mm
 Width of the appliance : 594 mm
 Depth of the product : 548 mm
 Maximum micro-wave power : 800 W
 Connection Rating : 3600 W
 Fuse protection : 16 A
 Voltage : 220-240 V
 Plug type : no plug
 Color / Material Front : Stainless steel
 Required cutout/niche size for installation (in) : x
 Dimensions of the packed product : 26.37 x 26.37 x 26.77
 Net weight : 111.000 lbs
 Gross weight : 119.000 lbs
 Included accessories : 1 x grill tray, suit. pyrol. clean., 2 x combination grid, 1 x universal pan



Series 8, Built-in oven with added steam and microwave function, 60 x 60 cm, Stainless steel HNG6764S1A

The built-in oven with PerfectBake, PerfectRoast, microwave and added steam: perfect, crispy results, even when you're in a hurry.

Performance

- Additional heating methods with steam:
 - Regeneration
 - Fermentation
- Additional heating methods with microwave: microwave, combi microwave variable
- 5 Microwave power settings (90 W,180 W,360 W,600 W,800 W) with Inverter (MW); Max. Power: 800 W;

Functions

- Pyrolytic self-cleaning function

Features

- Cavity volume: 67 l
- Water tank capacity: with 1 l
- PerfectRoast multipoint temperature probe
PerfectBakebaking sensor
- Supporting systems: Dish categories
- Rapid heating-up
- Oven functions:
 - Digital temperature display with proposal
 - Actual temperature display - Heating-up indicator Meat probe
 - Sabbath setting

Design

- Intuitive Control Ring
- Electronic clock
- LED light, LED-Elongated light switch for oven illumination

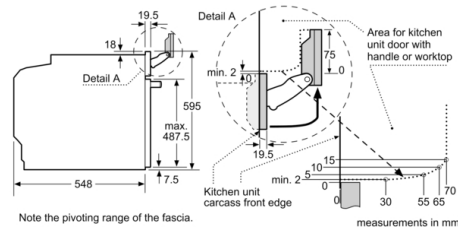
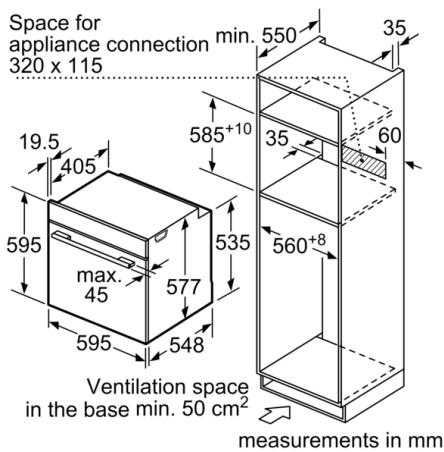
Safety Functions:

- Child lock, Residual heat indicator, Automatic switch off, Start and Stop button, door contact switch, Automatic door lock during pyrolysis
- Maximum window temperature 30° C
- Microwave top door
- Integral cooling fan

Technical Information

- Electrical connection rating: 3600 W
- Length of mains cable: 120 cm
- Dimensions of the product (HxWxD mm) : 595 x 594 x 548
- Required niche size for installation (HxWxD mm): 585 - 595 x 560 - 568 x 550

**Series 8, Built-in oven with added steam and microwave function, 60 x 60 cm, Stainless steel
HNG6764S1A**



If the appliance will be installed underneath a hob, the following worktop thicknesses (including substructure if necessary) must be taken into account.

Hob type	min. worktop thickness	
	fitted	flush
Induction hob	37 mm	38 mm
Full surface Induction hob	47 mm	48 mm
Gas hob	30 mm	38 mm
Electric hob	27 mm	30 mm

