

**Series 8, Built-in microwave oven,
Stainless steel
HMT85MR53**



**The built-in microwave for the 38 cm niche:
use it for extra fast thawing, heating and
perfect preparation of foods.**

- **LED-display control, red:** easy-to-use thanks to the time functions.
- **Pop-out controls:** for an easy to clean front.
- **Inverter Technology:** constant microwave power for heating food gradually.

Technical Data

Type of micro-wave oven : MW only
Type of control : Electronic
Color / Material Front : Stainless steel
Dimensions : 382 x 595 x 320 mm
Cavity dimensions : 220 x 350 x 270 mm
Length electrical supply cord : 150.0 cm
Net weight : 17.2 kg
Gross weight : 19.6 kg
Maximum micro-wave power : 900 W
Number of Power Levels : 5
Turntable : No
Cavity material : Stainless steel
Door opening : Button
Clock : Yes
Main colour of product : Stainless steel
Height of the appliance : 382 mm
Width of the appliance : 595 mm
Depth of the product : 320 mm
Maximum micro-wave power : 900 W
Connection Rating : 1220 W
Fuse protection : 10 A
Voltage : 230 V
Frequency : 50 Hz
Plug type : GARDY plug w/ earthing
Color / Material Front : Stainless steel
Alternative colors available : HMT85MR23, HMT85MR63
Required cutout/niche size for installation (in) : x x
Dimensions of the packed product : 18.50 x 18.11 x 26.37
Net weight : 38.000 lbs
Gross weight : 43.000 lbs



Series 8, Built-in microwave oven, Stainless steel HMT85MR53

**The built-in microwave for the 38 cm niche:
use it for extra fast thawing, heating and
perfect preparation of foods.**

Performance

- Oven capacity: 21 litres
- 900 W - Microwave
- With Inverter technology
- 5 settings: 900 W, 600W, 360W, 180W, 90W

Functions

- 3 PC
- 4 PC
- 2 PC
- 3 stage programming

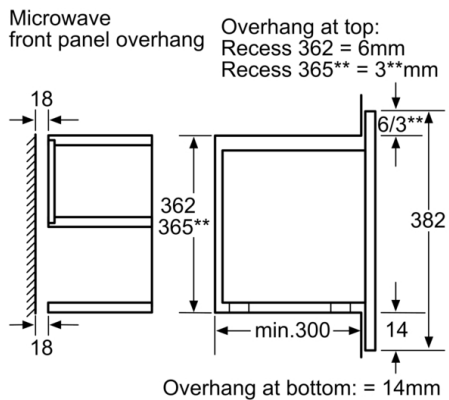
Features

- Large digital display for displaying cooking times and time of day

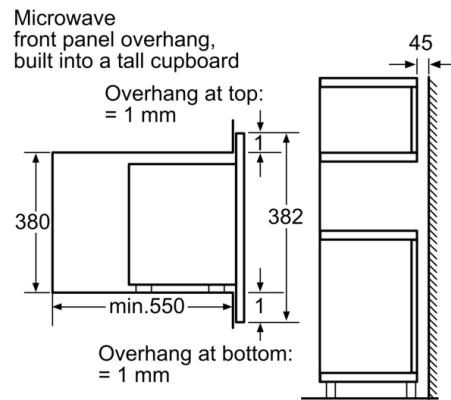
Design

- Basic control knobs
- Push buttons
- Stainless steel interior
- Interior lighting
- Side-hinge door

Series 8, Built-in microwave oven, Stainless steel HMT85MR53

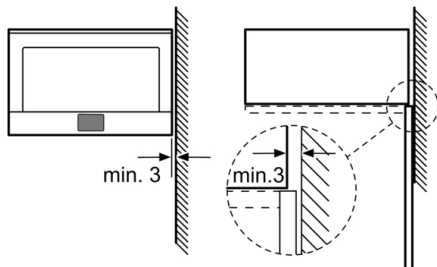


Measurements in mm



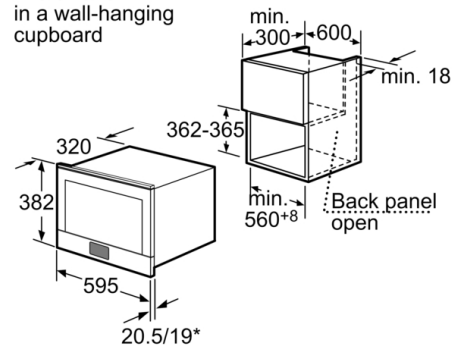
Measurements in mm

Microwave, corner installation



Measurements in mm

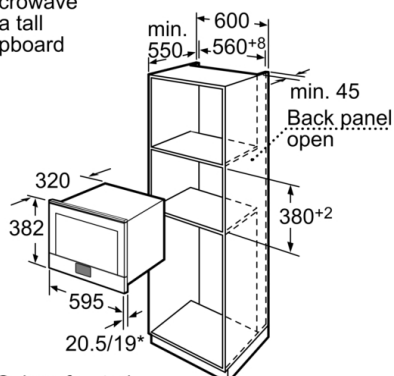
Microwave in a wall-hanging cupboard



* Colour-fronted appliances

Measurements in mm

Microwave in a tall cupboard



* Colour-fronted appliances

Measurements in mm