

Series 8, Built-in oven with microwave function, 60 x 60 cm, Stainless steel HMG656RS1



Included accessories

1 x enamel baking tray
1 x combination grid
1 x universal pan

Optional accessories

HEZ633070 : Professional pan, anthracite enamelled
HEZ635000 : Barbecue-Set

- **Microwave function:** for quick warming up or for fast cooking in combination with hot air.
- **LED lighting:** perfect illumination of foods with minimum energy consumption.
- **Flap door with SoftOpen and SoftClose:** the oven door opens and closes especially gently and quietly.
- **4D Hot Air:** even heat distribution for perfect results – on any level.
- **DishAssist:** automatic setting of the optimal type of heat, temperature and time for countless dishes.

Technical Data

Type of micro-wave oven : MW-Combi
Type of control : Electronic
Color / Material Front : Stainless steel
Dimensions : 595 x 594 x 548 mm
Cavity dimensions : 357.0 x 480 x 392.0 mm
Length electrical supply cord : 120 cm
Net weight : 42.8 kg
Gross weight : 45.2 kg
Maximum micro-wave power : 800 W
Number of Power Levels : 5
Turntable : No

Cavity material : Enamelled steel

Door opening : Handle

Clock : Yes

Included accessories : 1 x enamel baking tray, 1 x combination grid, 1 x universal pan

Main colour of product : Stainless steel

Height of the product : 595 mm

Width of the appliance : 594 mm

Depth of the product : 548 mm

Maximum micro-wave power : 800 W

Connection Rating : 3600 W

Fuse protection : 16 A

Voltage : 220-240 V

Frequency : 60; 50 Hz

Plug type : GARDY plug w/ earthing

Color / Material Front : Stainless steel

Alternative colors available : HMG656RB1, HMG656RW1

Required cutout/niche size for installation (in) : x x

Dimensions of the packed product : 26.37 x 26.37 x 26.77

Net weight : 94.000 lbs

Gross weight : 100.000 lbs

Included accessories : 1 x enamel baking tray, 1 x combination grid, 1 x universal pan



4 242002 808222

Series 8, Built-in oven with microwave function, 60 x 60 cm, Stainless steel HMG656RS1

- Oven with microwave with 12 heating modes: - 4D hot air - Hot Air-Eco - Conventional heat - Conventional heat ECO - Hot air grilling - Full width grill - Half width grill - Pizza setting - Bottom heat - Low temperature cooking - Preheating - Keep warm
- Additional heating methods with microwave: microwave, combi microwave variable
- Cavity volume: 67 l
- PerfectRoast multipoint temperature probe PerfectBake baking sensor
- Supporting systems: Dish categories
- LED display control (red)

Design

- Electronic clock
- LED light switch for oven illumination

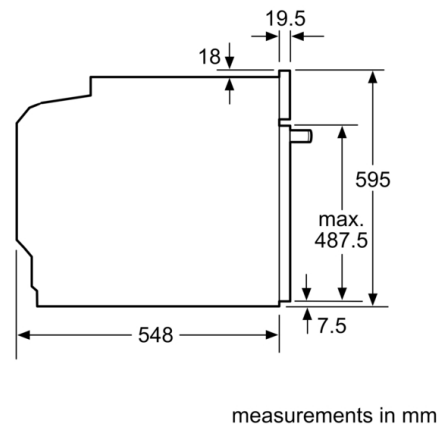
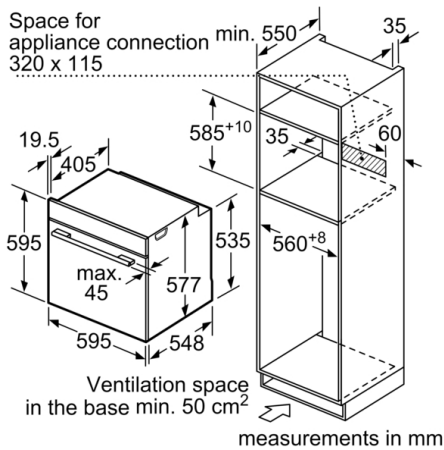
Safety Functions:

- Child lock, Residual heat indicator, Automatic switch off, Start and Stop button, door contact switch
- Integral cooling fan

Technical Information

- Electrical connection rating: 3600 W
- Length of mains cable: 120 cm
- Dimensions of the product (HxWxD mm) : 595 x 594 x 548
- Required niche size for installation (HxWxD mm): 585 - 595 x 560 - 568 x 550

Series 8, Built-in oven with microwave function, 60 x 60 cm, Stainless steel HMG656RS1



If the appliance will be installed underneath a hob, the following worktop thicknesses (including substructure if necessary) must be taken into account.

| Hob type | min. worktop thickness | |
|----------------------------|------------------------|-------|
| | fitted | flush |
| Induction hob | 37 mm | 38 mm |
| Full surface Induction hob | 47 mm | 48 mm |
| Gas hob | 30 mm | 38 mm |
| Electric hob | 27 mm | 30 mm |

