

**Series 2, Built-in oven, 60 x 60 cm,
Stainless steel
HBN331E1K**



Included accessories

1 x baking tray
1 x combination grid
1 x universal pan

The built-in oven with special hot air function: you achieve perfect baking and roasting results on up to two levels simultaneously.

• **Pop-out controls:** for an easy to clean front.

Technical Data

Gross weight : 35.8 kg
Color / Material Front : Stainless steel
Built-in / Free-standing : Built-in
Integrated Cleaning system : No
Min. required niche size for installation (HxWxD) : 575-597 x 560-568 x 550 mm
Dimensions : 595 x 595 x 548 mm
Dimensions of the packed product (HxWxD) : 660 x 670 x 650 mm
Control Panel Material : Metal
Door Material : Glass
Net weight : 33.5 kg
Usable volume of cavity : 66 l
Cooking method : 3D hot air, Bottom heat, Full width variable grill, Hot air grilling, - Top and bottom heat
Number of interior lights : 1
Length electrical supply cord : 200.0 cm
Interior Lights - cavity 1 : 1
Clock function : Alarm, Off, On
Included accessories : 1 x baking tray, 1 x combination grid, 1 x universal pan
Broil Element Wattages cavity 1 : 2800 W
Energy efficiency rating : A
Energy consumption per cycle conventional (2010/30/EC) : 0.98 kWh/cycle
Energy consumption per cycle forced air convection (2010/30/EC) : 0.82 kWh/cycle
Energy efficiency index (2010/30/EC) : 98.8 %
Connection Rating : 2900 W
Fuse protection : 13 A
Voltage : 220-240 V
Plug type : GB plug
Color / Material Front : Stainless steel
Energy input : Electric
Required cutout/niche size for installation (in) : x
Dimensions of the packed product : 25.98 x 25.59 x 26.37
Net weight : 74.000 lbs
Gross weight : 79.000 lbs
Length electrical supply cord : 200.0 cm
Net weight : 33.5 kg
Included accessories : 1 x baking tray, 1 x combination grid, 1 x universal pan



4 242002 841434

Series 2, Built-in oven, 60 x 60 cm, Stainless steel HBN331E1K

The built-in oven with special hot air function: you achieve perfect baking and roasting results on up to two levels simultaneously.

Performance

- Oven with 7 heating modes:
Hot air grilling Full width variable grill Bottom heat
Conventional heat 3D Hot air Hotair gentle Pizza setting
- Extra large 67 litre capacity
- Cavity volume: 66 L
- Temperature range 50 °C - 270 °C
- Energy efficiency rating A

Features

- Full glass inner door
- Heating up indicator
- Removable oven door for easy-cleaning

Design

- Enamelled cavity
- Electronic clock
- Oven cavity with removable rack supports
- Interior lighting
- Glass inner door
- 4 shelf positions

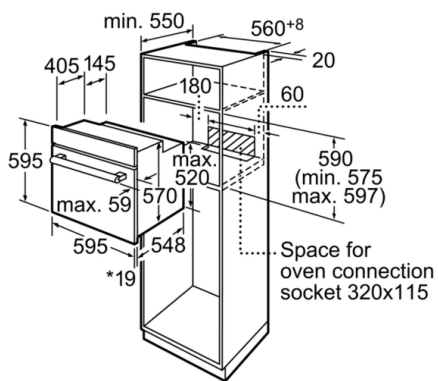
Safety functions

- Child lock
- Maximum window temperature 50° C
- Integral cooling fan

Technical information:

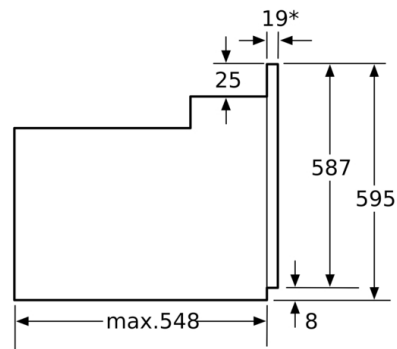
- Dimensions of the product (HxWxD mm) : 595 x 595 x 548
- Electrical connection rating: 2900 W

Series 2, Built-in oven, 60 x 60 cm, Stainless steel
HBN331E1K



*20 mm for metal fascias

Measurements in mm



* 20 mm for metal fascias

Dimensions in mm