

**Series 8, Built-in oven, 60 x 60 cm,
Stainless steel
HBG6753S1A**



Included accessories

1 x grill tray
suit. pyrol. clean.
2 x combination grid
1 x universal pan

Optional accessories

HEZ633070 : Professional pan, anthracite enamelled
HEZ635000 : Barbecue-Set

The built-in oven: you get perfect baking and roasting results.

- **TFT display control:** easy-to-use thanks to the control ring with full text and symbols.
- **4D Hot Air:** even heat distribution for perfect results – on any level.
- **AutoPilot 10:** every dish is a perfect success thanks to 10 pre-set automatic programmes.

Technical Data

Gross weight : 43.2 kg
Color / Material Front : Stainless steel
Built-in / Free-standing : Built-in
Integrated Cleaning system : Pyrolytic+Hydrolytic
Min. required niche size for installation (HxWxD) : 585-595 x 560-568 x 550 mm
Dimensions : 595 x 594 x 548 mm
Dimensions of the packed product (HxWxD) : 670 x 680 x 670 mm
Control Panel Material : Stainless steel
Door Material : Glass
Net weight : 40.7 kg
Usable volume of cavity : 71 l
Cooking method : , 4D hot air, Bottom heat, Defrost setting, Full width grill, Half width grill, Hot Air-Eco, Hot air grilling, Pizza setting, pre-heating, Soft steaming, - Top and bottom heat, warming
Number of interior lights : 1
Length electrical supply cord : 120.0 cm
Interior Lights - cavity 1 : 1
Pull-out system : 2-level
Clock function : Alarm, Off, On
Included accessories : 1 x grill tray, suit. pyrol. clean., 2 x combination grid, 1 x universal pan
Broil Element Wattages cavity 1 : 2800 W
Convection Element Wattages cavity 1 : 2200 W
Energy efficiency rating : A
Energy consumption per cycle conventional (2010/30/EC) : 0.90 kWh/cycle
Energy consumption per cycle forced air convection (2010/30/EC) : 0.74 kWh/cycle
Energy efficiency index (2010/30/EC) : 87.1 %
Connection Rating : 3600 W
Fuse protection : 16 A
Voltage : 220-240 V
Plug type : no plug
Color / Material Front : Stainless steel
Alternative colors available : HBG6753B1A
Energy input : Electric
Required cutout/niche size for installation (in) : x
Dimensions of the packed product : 26.37 x 26.37 x 26.77
Net weight : 90.000 lbs
Gross weight : 95.000 lbs
Length electrical supply cord : 120.0 cm
Net weight : 40.7 kg
Included accessories : 1 x grill tray, suit. pyrol. clean., 2 x combination grid, 1 x universal pan



Series 8, Built-in oven, 60 x 60 cm, Stainless steel

HBG6753S1A

The built-in oven: you get perfect baking and roasting results.

Performance

- Oven with 13 heating modes: - 4D hot air - Hot Air-Eco - Conventional heat - Conventional heat ECO - Hot air grilling - Full width grill - Half width grill - Pizza setting - Bottom heat - Low temperature cooking - Defrost setting - Preheating - Keep warm

Functions

- Number of automatic programmes: 10 PC
- Pyrolytic self-cleaning function
- Pyrolytic proof trayholder and baking tray
- Temperature range 30 °C - 300 °C

Features

- Cavity volume: 71 l
- LED display control (red)
- Rapid heating-up
- Oven functions: - Digital temperature display with proposal - Actual temperature display - Heating-up indicator - Automatic programmes - Sabbath setting
- Door hinge: Bottom, SoftClosing, Soft opening

Design

- Intuitive Control Ring
- Electronic clock
- Halogen interior lighting switch for oven illumination
- Enamel cavity anthracite

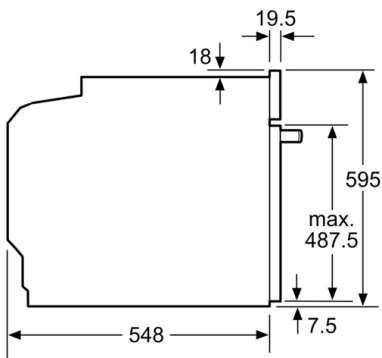
Safety Functions:

- Child lock, Residual heat indicator, Automatic switch off, Start and Stop button, door contact switch
- Maximum window temperature 30° C
- Full glass inner door
- Integral cooling fan

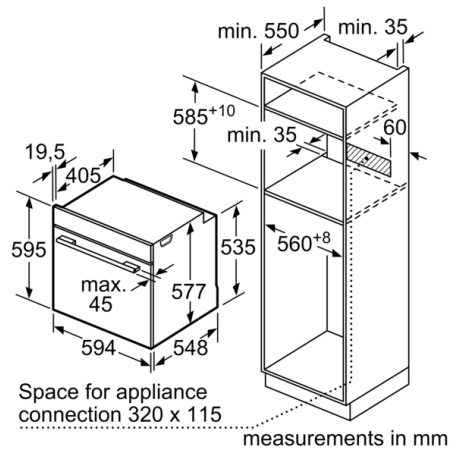
Technical Information

- Electrical connection rating: 3600 W
- Length of mains cable: 120 cm
- Dimensions of the product (HxWxD mm) : 595 x 594 x 548
- Required niche size for installation (HxWxD mm): 585 - 595 x 560 - 568 x 550

Series 8, Built-in oven, 60 x 60 cm, Stainless steel
HBG6753S1A



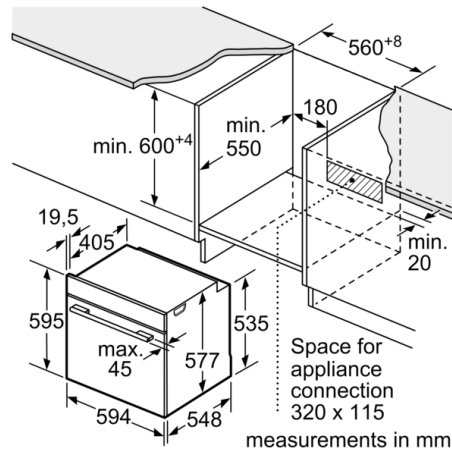
measurements in mm



measurements in mm

If the appliance will be installed underneath a hob, the following worktop thicknesses (including substructure if necessary) must be taken into account.

Hob type	min. worktop thickness	
	fitted	flush
Induction hob	37 mm	38 mm
Full surface Induction hob	47 mm	48 mm
Gas hob	30 mm	38 mm
Electric hob	27 mm	30 mm



measurements in mm