

**Series 8, Built-in oven, 60 x 60 cm,
Stainless steel
HBG56B550J**



1 x enamel baking tray, 1 x combination grid, 1 x universal pan

HEZ336000 Glass pan, HEZ338250 2 level telescopic shelf rails, HEZ338352 3 level telescopic shelf rails, HEZ338357 3 level telescopic shelf rails, full ext., HEZ390010 Stainless steel roaster, HEZ915001 Glass roasting dish, 5,1 L, HEZ24D300 System steam cooker, HEZ317000 Pizza pan, enamelled, HEZ324000 Inlaid wire shelf for multipurpose pan, HEZ325000 Grill tray, HEZ327000 Pizza stone, HEZ329000 Odour and grease catalyzer, HEZ331003 Enamelled baking tray, HEZ331011 Baking tray, anti-adherent coating, HEZ332003 Multipurpose pan, HEZ332011 Multipurpose pan, anti-adherent, HEZ333001 Lid for professional pan, HEZ333003 Professional pan, HEZ334000 Wire shelf

The built-in oven with intelligent automatic programmes: the selected dish is a perfect success with minimal effort on your part.

- **3D hotair:** perfect results thanks to optimal distribution of heat on up to 3 levels simultaneously - without taste transfer.
- **Pop-out controls:** for an easy to clean front.
- **EcoClean Direct:** easy cleaning thanks to a coating that breaks down grease while you bake.
- **Flap door with SoftClose:** the oven door closes especially gently and quietly.
- **Dampened Hinges Softly and Quietly Guide the QuietClose® Door Shut.**

Gross weight: 39.9 kg
 Built-in / Free-standing: Built-in
 Integrated Cleaning system: catalytic all sides, catalytic all sides
 Min. required niche size for installation (HxWxD): 575-597 x 560-568 x 550 mm
 Dimensions: 595 x 595 x 548 mm
 Dimensions of the packed product (HxWxD): 670 x 680 x 670 mm
 Control Panel Material: Stainless steel
 Door Material: Glass
 Net weight: 37.8 kg
 Usable volume of cavity: 66 l
 Cooking method: Defrost, Hot Air-Eco, Hot Air, Conventional heat, Special baking setting, Pizza setting, Bottom heat, Hot air grilling, Full width variable grill, Half width variable grill, warming
 Number of interior lights: 1
 Length electrical supply cord: 120.0 cm
 Interior Lights - cavity 1: 1
 Pull-out system: Accessory
 Included accessories: 1 x enamel baking tray, 1 x combination grid, 1 x universal pan
 Broil Element Wattages cavity 1: 2700 W
 Convection Element Wattages cavity 1: 1550 W
 Energy efficiency rating: A
 Energy consumption per cycle conventional (2010/30/EC): 0.81 kWh/cycle
 Energy consumption per cycle forced air convection (2010/30/EC): 0.71 kWh/cycle
 Energy efficiency index (2010/30/EC): 85.5 %
 Connection rating: 2850 W
 Fuse protection: 13 A
 Voltage: 220-230 V
 Frequency: 60; 50 Hz
 Plug type: GARDY plug w/ earthing
 Energy input: Electric
 Required cutout/niche size for installation (in): x
 Dimensions of the packed product: 26.37 x 26.37 x 26.77
 Net weight: 83.000 lbs
 Gross weight: 88.000 lbs
 Length electrical supply cord: 120.0 cm
 Net weight: 37.8 kg



**Series 8, Built-in oven, 60 x 60 cm,
Stainless steel
HBG56B550J**

The built-in oven with intelligent automatic programmes: the selected dish is a perfect success with minimal effort on your part.

Performance

- 11 Heating method electr.:
- - Defrost setting
- - Hot Air-Eco - 3D hot air plus - Conventional heat - HydroBaking - Pizza setting - Bottom heat - Hot air grilling - Full width variable grill - Half width variable grill - Keep warm
- Extra large 67 litre capacity

Functions

- 40 auto programe
- EcoClean panel top, rear wall liners, side
- Memory function

Features

- Electronic control
- Digital symbol and function display
- Digital temperature display
- automatic Rapid heating-up
- Full glass inner door
- Heating up indicator
- Residual heat indicator
- Automatic switch off

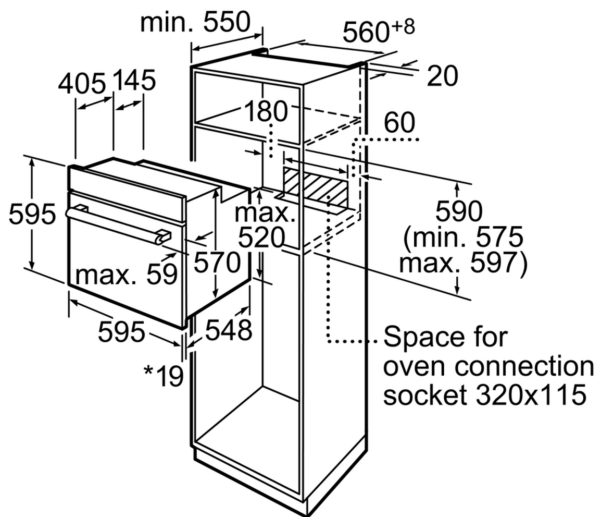
Design

- Full metal illuminated retractable controls
- Metal touch control
- Full metal bar handle
- Enamelled cavity (grey)
- Automatic temperature suggestion
- Precise temperature control 30-300° C
- Oven interior light
- Oven interior light to be switched-off
- 5 shelf positions
- Drop down door

Safety functions

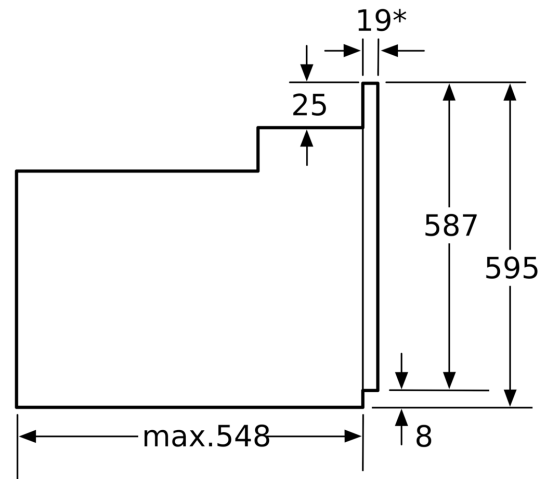
- Child lock
- Maximum window temperature 40° C
- Integral cooling fan

**Series 8, Built-in oven, 60 x 60 cm,
Stainless steel
HBG56B550J**



*20 mm for metal fascias

Measurements in mm



* 20 mm for metal fascias

Dimensions in mm