

**Series 2, Built-in oven, 60 x 60 cm,
Stainless steel
HBF134BS0K**



Included accessories

- 1 x enamel baking tray
- 1 x combination grid
- 1 x universal pan

The built-in oven with 3D hot air: achieve perfect baking and roasting results on up to three levels simultaneously.

- **LED-display control, red:** easy-to-use thanks to the time functions.
- **Pop-out controls:** for an easy to clean front.
- **EcoClean Direct:** almost no cleaning is necessary thanks to a special coating of the rear wall that automatically absorbs grime.

Technical Data

- Gross weight : 35.3 kg
- Color / Material Front : Stainless steel
- Built-in / Free-standing : Built-in
- Integrated Cleaning system : catalytic partial
- Min. required niche size for installation (HxWxD) : 575-597 x 560-568 x 550 mm
- Dimensions : 595 x 594 x 548 mm
- Dimensions of the packed product (HxWxD) : 664 x 677 x 655 mm
- Control Panel Material : Stainless steel
- Door Material : Glass
- Net weight : 35.3 kg
- Usable volume of cavity : 66 l
- Cooking method : Bottom heat, Full width variable grill, Hot Air, Hotair gentle, Hot air grilling, Pizza setting, - Top and bottom heat
- First cavity material : Other
- Number of interior lights : 1
- Length electrical supply cord : 180 cm
- Interior Lights - cavity 1 : 1
- Pull-out system : Accessory
- Clock function : Alarm, Off, On
- Included accessories : 1 x enamel baking tray, 1 x combination grid, 1 x universal pan
- Broil Element Wattages cavity 1 : 2800 W
- Energy efficiency rating : A
- Energy consumption per cycle conventional (2010/30/EC) : 0.98 kWh/cycle
- Energy consumption per cycle forced air convection (2010/30/EC) : 0.79 kWh/cycle
- Energy efficiency index (2010/30/EC) : 95.2 %
- Connection Rating : 2950 W
- Fuse protection : 13 A
- Voltage : 220-240 V
- Frequency : 60; 50 Hz
- Plug type : GB plug
- Color / Material Front : Stainless steel
- Energy input : Electric
- Required cutout/niche size for installation (in) : x x
- Dimensions of the packed product : 26.14 x 25.78 x 26.65
- Net weight : 78.000 lbs
- Gross weight : 78.000 lbs
- Length electrical supply cord : 180 cm
- Net weight : 35.3 kg
- Included accessories : 1 x enamel baking tray, 1 x combination grid, 1 x universal pan



Series 2, Built-in oven, 60 x 60 cm, Stainless steel HBF134BS0K

The built-in oven with 3D hot air: achieve perfect baking and roasting results on up to three levels simultaneously.

Heating Modes

- Oven with 7 heating modes:
Hot air grilling Full width variable grill Bottom heat
Conventional heat 3D Hot air Hotair gentle Pizza setting

Design

- Rotary control dials, Round, Retractable knobs

Bottom oven door

- Straight Bar handle
- Cavity inner surface: enamel grey
- Halogen interior lighting

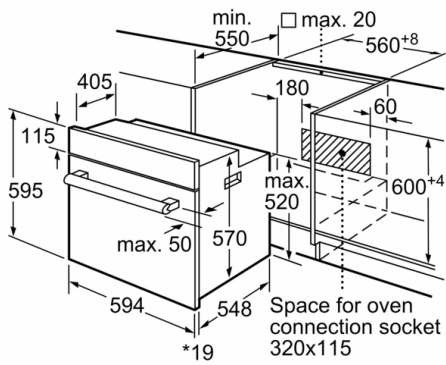
Comfort

- Cavity volume: 66 L
- 45 °C
- Temperature range 50 °C - 275 °C
- childproof lock
- electronic clock
- automatic start

Technical Information

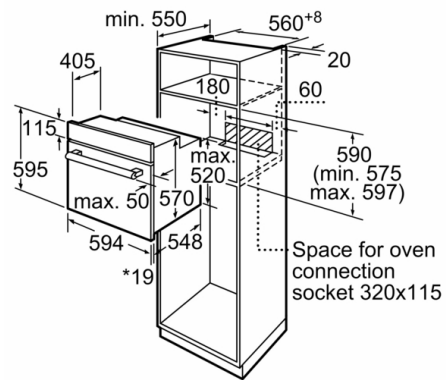
- Dimensions of the product (HxWxD mm) : 595 x 594 x 548
- Required niche size for installation (HxWxD mm) : 575-597 x 560-568 x 550
- Electrical connection rating: 2950 W
- Length of main cable: 180 cm
- Plug type: GB plug

Series 2, Built-in oven, 60 x 60 cm, Stainless steel
HBF134BS0K



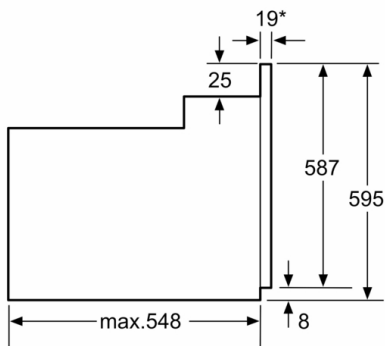
* 20 mm for metal fascias

measurements in mm



* 20 mm for metal fascias

measurements in mm



* 20 mm for metal fascias

Dimensions in mm