

Series 8, Built-in compact oven with steam function, 60 x 45 cm, Black HBC36D764



The steam oven with ColorGlass front and hot air function: lets you combine gentle cooking with the power of hot air.

- **9 Heating methods:**
- **-Steam (35 °C - 100 °C)**
- **-Hot Air (30 °C - 230 °C)**
- **-Hot air + steam (120 °C - 230 °C)**
- **- Regeneration**
- **- Fermentation - Defrost - gentle cooking - pre-heating - warming**
- **Oven capacity: 35 litre**
- **Energy efficiency class: A-20%**
- **Water tank capacity: with 1.3 l**
- **70 Automatic programmes**

1 x STS tray-GN2/3-unpunched-28 mm deep, 1 x STS tray-GN1/3-punched-40 mm deep, 1 x STS tray-GN2/3-punched-40 mm deep, 1 x grid, 1 x grease filter, 1 x STS tray-GN1/3-unpunched-40 mm deep

HEZ36D453G Stainless steel tray, GN 2/3, punched, 4
 HEZ36DB4 Roasting set
 HEZ36DR4 Combination grid
 HEZ860050 strip
 HEZ860060 strip
 HEZ36D153 STS tray-GN1/3- unpunched 40 mm deep
 HEZ36D153G STS tray-GN1/3-punched 40 mm deep
 HEZ36D452 STS tray-GN2/3-unpunched-28mm deep
 HEZ36D453 STS tray-GN2/3-unpunched-40mm deep

Gross weight: 64.000 lbs
 Color / Material Front: Black
 Built-in / Free-standing: Built-in
 Door opening: Drop down
 Dimensions: 454 x 595 x 550 mm
 Dimensions of the packed product (HxWxD): 520 x 650 x 710 mm
 Control Panel Material: Glass
 Door Material: Glass
 Net weight: 25.9 kg
 Length electrical supply cord: 130.0 cm
 Cooking method: Defrost, fermentation, gentle cooking, Hot Air, Hot air + steam, pre-heating, Regeneration, Steam 100%, warming
 Time-setting Options: Start and Stop
 Fuse protection: 10 A
 Voltage: 220-240 V
 Frequency: 50; 60 Hz
 Plug type: Gardy plug w/ earthing
 Color / Material Front: Black
 Energy input: Electric
 Fuse protection: 10 A
 Voltage: 220-240 V
 Frequency: 50; 60 Hz
 Plug type: Gardy plug w/ earthing
 Net weight: 57.000 lbs
 Included accessories: 1 x STS tray-GN2/3-unpunched-28 mm deep, 1 x STS tray-GN1/3-punched-40 mm deep, 1 x STS tray-GN2/3-punched-40 mm deep, 1 x grid, 1 x grease filter, 1 x STS tray-GN1/3-unpunched-40 mm deep



Series 8, Built-in compact oven with steam function, 60 x 45 cm, Black HBC36D764

The steam oven with ColorGlass front and hot air function: lets you combine gentle cooking with the power of hot air.

Performance

- 9 Heating methods:
 - Steam (35 °C - 100 °C)
 - Hot Air (30 °C - 230 °C)
 - Hot air + steam (120 °C - 230 °C)
 - Regeneration
 - Fermentation - Defrost - gentle cooking - pre-heating - warming
- Oven capacity: 35 litre
- Energy efficiency class: A-20%
- Water tank capacity: with 1.3 l

Functions

- 70 Automatic programmes
- Cleaning, Descaling programme
- Memory function

Features

- Electronic control
- Digital temperature display
- Digital symbol and function display
- Heating up indicator
- Residual heat indicator
- Actual temperature display
- Automatic switch off

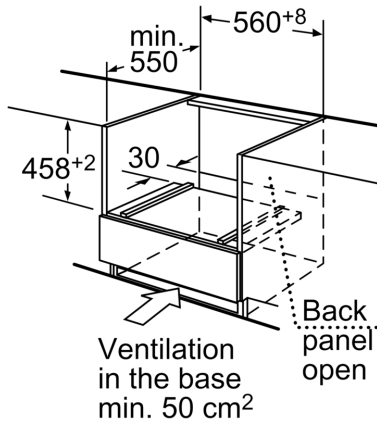
Design

- Control panel height 96mm: for a perfect horizontal combination with panorama appliances
- Display window
- One-knob control
- Metal touch control
- Halogen interior lighting
- Full metal bar handle
- Hot-air fan off/on when oven door opened/closed
- U-shape glass on metal door design
- Removable shelf support rails
- 4 shelf positions
- Drop down door

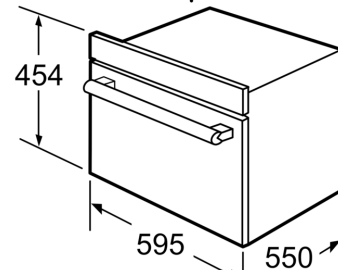
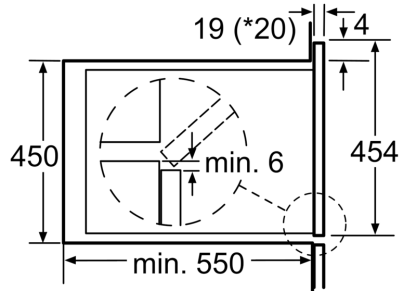
Safety functions

- Child lock
- Location of the steam generator is outside of the cavity
- Water tank empty indicator

Series 8, Built-in compact oven with steam function, 60 x 45 cm, Black HBC36D764



measurements in mm



* 20 mm for metal fascias

Measurements in mm

