

**Series 8, Built-in compact oven with steam function, 60 x 45 cm, Stainless steel**

**HBC36D754B**



1 x STS tray-GN2/3-unpunched-28 mm deep, 1 x STS tray-GN1/3-punched-40 mm deep, 1 x STS tray-GN2/3-punched-40 mm deep, 1 x grid, 1 x sponge, 1 x STS tray-GN1/3-unpunched-40 mm deep

- HEZ36D453G Stainless steel tray, GN 2/3, punched, 4
- HEZ36DB4 Roasting set
- HEZ36DR4 Combination grid
- HEZ36D153G STS tray-GN1/3-punched 40 mm deep
- HEZ36D452 STS tray-GN2/3-unpunched-28mm deep
- HEZ36D453 STS tray-GN2/3-unpunched-40mm deep

**The steam oven with hot air function: lets you combine gentle cooking with the power of hot air.**

- **Steam function:** for gentle, healthy food preparation.

Gross weight: ..... 63.000 lbs  
 Built-in / Free-standing: ..... Built-in  
 Door opening: ..... Drop down  
 Dimensions: ..... 454 x 595 x 550 mm  
 Dimensions of the packed product (HxWxD): ..... 520 x 650 x 710 mm  
 Control Panel Material: ..... Stainless steel  
 Door Material: ..... Glass  
 Net weight: ..... 25.3 kg  
 Length electrical supply cord: ..... 130.0 cm  
 Cooking method: .. Defrost, - Steam 100oC, - Fermentation, Hot air + steam, Hot Air, - Regeneration, gentle cooking, pre-heating, warming  
 Time-setting Options: ..... Start and Stop  
 Fuse protection: ..... 10 A  
 Voltage: ..... 220-240 V  
 Frequency: ..... 60; 50 Hz  
 Plug type: ..... GB plug  
 Energy input: ..... Electric  
 Fuse protection: ..... 10 A  
 Voltage: ..... 220-240 V  
 Frequency: ..... 60; 50 Hz  
 Plug type: ..... GB plug  
 Dimensions of the packed product: ..... 20.47 x 25.59 x 27.95  
 Net weight: ..... 56.000 lbs  
 Included accessories: 1 x STS tray-GN2/3-unpunched-28 mm deep, 1 x STS tray-GN1/3-punched-40 mm deep, 1 x STS tray-GN2/3-punched-40 mm deep, 1 x grid, 1 x sponge, 1 x STS tray-GN1/3-unpunched-40 mm deep



## **Series 8, Built-in compact oven with steam function, 60 x 45 cm, Stainless steel**

**HBC36D754B**

**The steam oven with hot air function: lets you combine gentle cooking with the power of hot air.**

---

### **Performance**

- 9 Heating methods:
  - Steam (35 °C - 100 °C)
  - Hot Air (30 °C - 230 °C)
  - Hot air + steam (120 °C - 230 °C)
  - Regeneration
  - Fermentation - Defrost - gentle cooking - pre-heating - warming
- Oven capacity: 35 litre
- Energy efficiency class: A-20%
- Water tank capacity: with 1.3 l

### **Functions**

- 70 Automatic programmes
- Cleaning, Descaling programme
- Memory function

### **Features**

- Electronic control
- Clear text display
- Digital temperature display
- Heating up indicator
- Residual heat indicator
- Automatic switch off

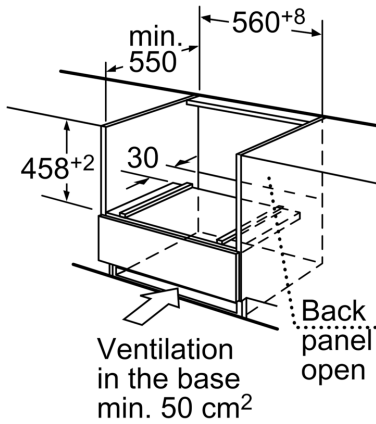
### **Design**

- Control panel height 96mm: for a perfect horizontal combination with panorama appliances
- One-knob control
- Metal touch control
- Full metal bar handle
- Hot-air fan off/on when oven door opened/closed
- U-shape glass on metal door design
- Halogen interior lighting
- Removable shelf support rails
- 4 shelf positions
- Drop down door

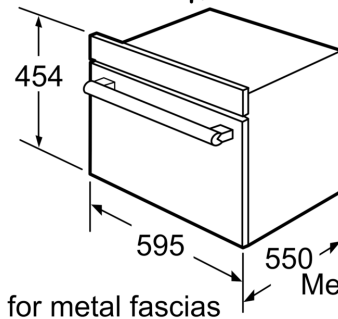
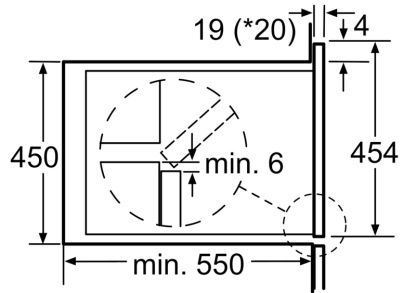
### **Safety functions**

- Child lock
- Location of the steam generator is outside of the cavity
- Water tank empty indicator

**Series 8, Built-in compact oven with steam function, 60 x 45 cm, Stainless steel  
HBC36D754B**



measurements in mm



\* 20 mm for metal fascias Measurements in mm

