

**Series 8, Built-in steamer, 60 x 45 cm, Stainless steel
HBC26D553**



The 45cm steamer: prepare foods especially gently, retaining the aroma and vitamins.

- **Steam function:** for gentle, healthy food preparation.

Built-in / Free-standing: Built-in
 Door opening: Drop down
 Dimensions: 454 x 595 x 550 mm
 Dimensions of the packed product (HxWxD): 520 x 660 x 710 mm
 Control Panel Material: Stainless steel
 Door Material: Glass
 Net weight: 23.7 kg
 Length electrical supply cord: 130.0 cm
 Connection rating: 1900 W
 Fuse protection: 10 A
 Voltage: 220-240 V
 Frequency: 50; 60 Hz
 Plug type: GARDY plug w/ earthing
 Included accessories: . 1 x STS tray-GN2/3-punched-40 mm deep, 1 x STS tray-GN2/3-unpunched-40 mm deep, 1 x grid

1 x STS tray-GN2/3-punched-40 mm deep, 1 x STS tray-GN2/3-unpunched-40 mm deep, 1 x grid



HEZ36D153 STS tray-GN1/3- unpunched 40 mm deep
 HEZ36D153G STS tray-GN1/3-punched 40 mm deep
 HEZ36D452 STS tray-GN2/3-unpunched-28mm deep
 HEZ36D453 STS tray-GN2/3-unpunched-40mm deep
 HEZ36D453G Stainless steel tray, GN 2/3, punched, 4
 HEZ36DR4 Combination grid
 HEZ860050 strip

Series 8, Built-in steamer, 60 x 45 cm, Stainless steel HBC26D553

**The 45cm steamer: prepare foods
especially gently, retaining the aroma and
vitamins.**

Performance

- Steam cooking range 35° - 100°C
- - Regeneration, - Fermentation, - Defrost
- Oven capacity: 38 litre
- Energy efficiency class: A
- Water tank capacity: with 1.3 l

Functions

- 40 Automatic programmes
- Cleaning, Descaling programme
- Memory function

Features

- Electronic control
- Clear text display
- Digital temperature display
- Heating up indicator
- Residual heat indicator
- Automatic switch off

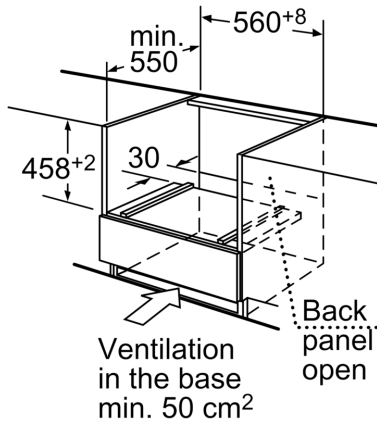
Design

- Control panel height 96mm: for a perfect horizontal combination with panorama appliances
- One-knob control
- Metal touch control
- Full metal bar handle
- Hot-air fan off/on when oven door opened/closed
- U-shape glass on metal door design
- Interior lighting
- Removable shelf support rails
- 4 shelf positions
- Drop down door

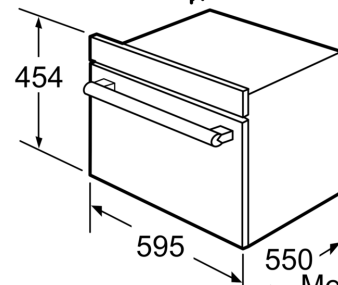
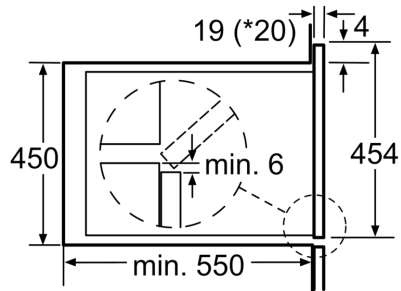
Safety functions

- Child lock
- Location of the steam generator is outside of the cavity
- Water tank empty indicator

**Series 8, Built-in steamer, 60 x 45 cm, Stainless steel
HBC26D553**

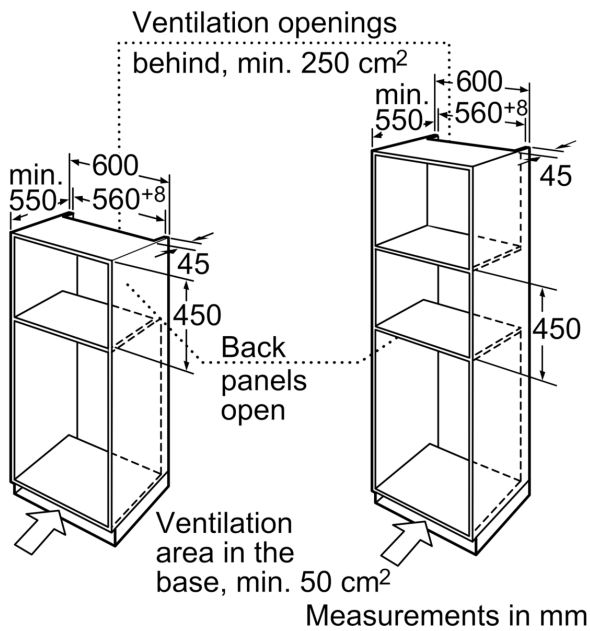


measurements in mm



* 20 mm for metal fascias

Measurements in mm



Measurements in mm