

**Series 6, Built-in oven, 60 x 60 cm,
Stainless steel
HBA23B253**



The built-in oven with cleaning aid: Clean less thanks to reduced soiling during the cooking process

- **3D hotair:** perfect results thanks to optimal distribution of heat on up to 3 levels simultaneously - without taste transfer.
- **Pop-out controls:** for an easy to clean front.
- **EcoClean Direct:** almost no cleaning is necessary thanks to a special coating of the rear wall that automatically absorbs grime.

1 x enamel baking tray, 1 x combination grid, 1 x universal pan

HEZ24D300 System steam cooker, HEZ317000 Pizza pan, enamelled, HEZ324000 Inlaid wire shelf for multipurpose pan, HEZ325000 Grill tray, HEZ327000 Pizza stone, HEZ331003 Enamelled baking tray, HEZ331011 Baking tray, anti-adherent coating, HEZ332003 Multipurpose pan, HEZ332011 Multipurpose pan, anti-adherent, HEZ333001 Lid for professional pan, HEZ333003 Professional pan, HEZ334000 Wire shelf, HEZ336000 Glass pan, HEZ338250 2 level telescopic shelf rails, HEZ338352 3 level telescopic shelf rails, HEZ338357 3 level telescopic shelf rails, full ext., HEZ390010 Stainless steel roaster, HEZ915003 Glass roasting dish, 5,4 L

Gross weight: 37.8 kg
 Built-in / Free-standing: Built-in
 Integrated Cleaning system: catalytic partial
 Dimensions: 595 x 595 x 548 mm
 Dimensions of the packed product (HxWxD): 670 x 680 x 660 mm
 Control Panel Material: Stainless steel
 Door Material: Glass
 Net weight: 35.6 kg
 Usable volume of cavity: 66 l
 Cooking method: Hot Air, Conventional heat, Bottom heat, Hot air grilling, Full width variable grill
 Number of interior lights: 1
 Length electrical supply cord: 100.0 cm
 Interior Lights - cavity 1: 1
 Pull-out system: Accessory
 Included accessories: 1 x enamel baking tray, 1 x combination grid, 1 x universal pan
 Broil Element Wattages cavity 1: 2800 W
 Energy efficiency rating: A
 Energy consumption per cycle conventional (2010/30/EC): 0.93 kWh/cycle
 Energy consumption per cycle forced air convection (2010/30/EC): 0.84 kWh/cycle
 Energy efficiency index (2010/30/EC): 101.2 %
 Connection rating: 3200 W
 Fuse protection: 16 A
 Voltage: 220-240 V
 Frequency: 60; 50 Hz
 Plug type: GARDY plug w/ earthing
 Alternative colors available: HBA23B223, HBA23B263
 Energy input: Electric
 Required cutout/niche size for installation (in): x
 Dimensions of the packed product: 26.37 x 25.98 x 26.77
 Net weight: 78.000 lbs
 Gross weight: 83.000 lbs
 Length electrical supply cord: 100.0 cm
 Net weight: 35.6 kg



**Series 6, Built-in oven, 60 x 60 cm,
Stainless steel
HBA23B253**

**The built-in oven with cleaning aid: Clean
less thanks to reduced soiling during the
cooking process**

Performance

- 5 Heating method electr.:
- - 3D hot air plus
- - Conventional heat - Bottom heat - Hot air grilling - Full width variable grill
- Extra large 67 litre capacity

Features

- Rear liner with EcoClean
- Full glass inner door
- Heating up indicator

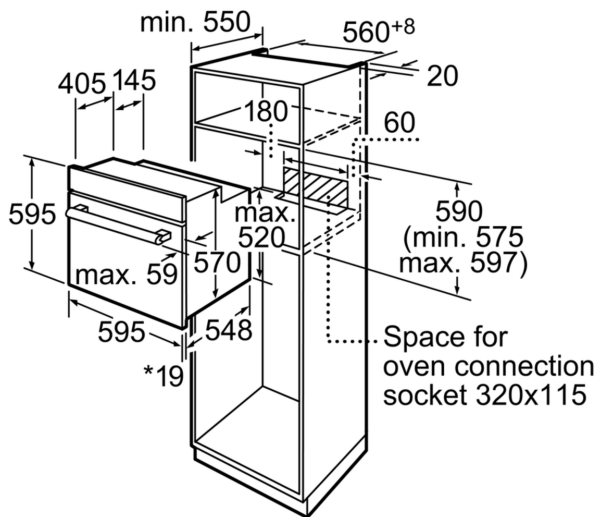
Design

- Basic control knobs
- Electronic clock
- Full metal bar handle
- Enamelled cavity (grey)
- Oven interior light
- 5 shelf positions
- Drop down door

Safety functions

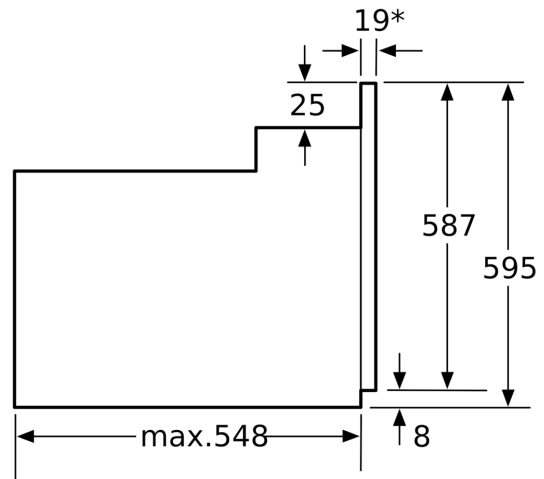
- Child lock
- Maximum window temperature 50° C
- Integral cooling fan

**Series 6, Built-in oven, 60 x 60 cm,
Stainless steel
HBA23B253**



*20 mm for metal fascias

Measurements in mm



* 20 mm for metal fascias

Dimensions in mm