

**Series 8, Wall-mounted cooker hood,
90 cm, clear glass black printed
DWF97RU60**



**Flat design hood: always keep an eye on
your pots and pans with this design
highlight.**

- **LED illumination:** The energy-saving lighting provides white and good lighting for the hob area.
- **Intensive speed setting:** Removes strong kitchen odours quickly and effectively
- **especially silent:** maximal extractor performance with minimal noise

DZZ1XX1B6	Clean Air Plus odor filter (replacement)
HEZG9AS00S	Adapter
DWZ1AF1I6	Clean Air Plus recirculation kit
DWZ1AF1V6	Clean Air Plus recirc. kit (chimless)
DWZ1AX5C6	Clean Air Plus recirc. kit external
DWZ1AX6E1	Chimney standard black
DZZ0XX0P0	Long Life odor filter (replacement)
DWZ0AF0R0	Long Life recirculation kit (chimless)
DWZ0AF0S0	Long Life recirculation kit
DWZ0AX5K0	Chimney extension 1000 mm
DWZ0AX5L0	Chimney extension 1500 mm
DWZ1AF1B6	Clean Air Plus odor filter (replacement)

Typology:	Wall-mounted
Length electrical supply cord:	130.0 cm
Height of product, without chimney:	430 mm
Net weight:	25.2 kg
Type of control:	Electronic
Number of speed settings:	3-stage + 2 intensive
Max. air extraction:	394 m ³ /h
Boost position output recirculating:	404 m ³ /h
Max. air recirculation:	249 m ³ /h
Boost position air extraction:	717 m ³ /h
Number of lights:	2
Noise level:	57 dB(A) re 1 pW
Diameter of air outlet:	120 / 150 mm
Grease filter material:	Washable aluminium
Odour filter:	No
Operating Mode:	Convertible
Optional accessories:	DZZ1XX1B6, HEZG9AS00S, DWZ1AF1I6, DWZ1AF1V6, DWZ1AX5C6, DWZ1AX6E1, DZZ0XX0P0, DWZ0AF0R0, DWZ0AF0S0, DWZ0AX5K0, DWZ0AX5L0, DWZ1AF1B6
Type of lamps used:	LED
Grease filter type:	Kassette
Connection rating:	146 W
Fuse protection:	10 A
Voltage:	220-240 V
Frequency:	50; 60 Hz
Plug type:	Gardy plug w/ earthing
Installation typology:	Wall-mounted
Material body:	Glass, Lacquered
Plug type:	Gardy plug w/ earthing
Dimensions of the product, with chimney (if exists) (in):	x x
Dimensions of the packed product:	21.25 x 29.13 x 40.94
Net weight:	56.000 lbs
Gross weight:	72.000 lbs
Motor location:	Integrated motor in hood body
No-return airflow flap:	Yes
Length electrical supply cord:	130.0 cm
Dimensions of the product, with chimney (if exists):	550 x 890.0 x 263.0 mm
Dimensions of the packed product (HxWxD):	540 x 740 x 1040 mm
Net weight:	25.2 kg
Gross weight:	32.5 kg
Delay Shut off modes:	1-99 min



Series 8, Wall-mounted cooker hood, 90 cm, clear glass black printed DWF97RU60

**Flat design hood: always keep an eye on
your pots and pans with this design
highlight.**

Design

- Wall mounted hood
- black Glass Glass
- Touch control on black full width glass panel

Key Functions

- Maximum extraction rate according to EN 61591: 717 m³/h
- 3 fan speeds setting plus 2 intensive

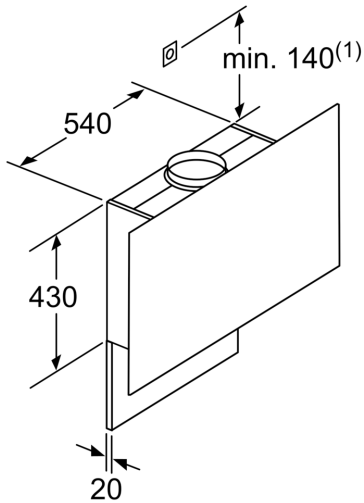
Comfort:

- LED illumination lighting
- Metal grease filter, Filter cover glass
- Noise level according to EN 60704-3 und EN 60704-2-13 at maximum normal use: 57 dB

Technical information:

- For wall mounting only
- Suitable for ducted or recirculating operation
- Dimensions of the product (HxWxD mm): 550 mm x 890 x 263mm
- Electrical connection rating: 146 W
- Plug type: GARDY plug w/ earthing
- Length of mains cable: 130 cm
- Ducting connection: 120 mm, 150 mm

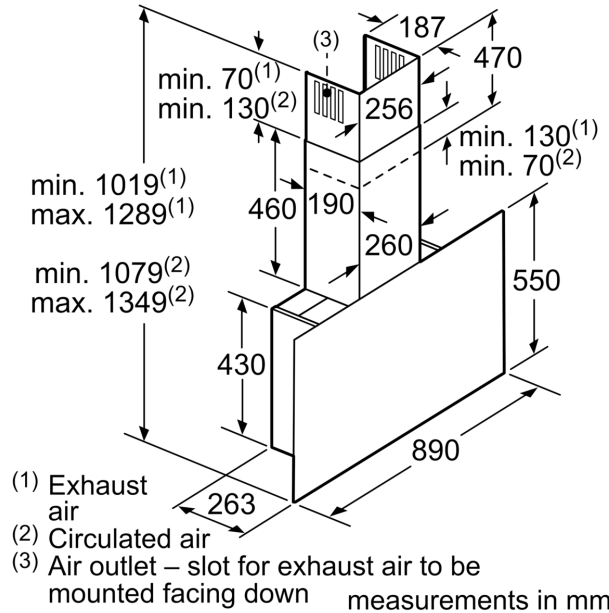
**Series 8, Wall-mounted cooker hood,
90 cm, clear glass black printed
DWF97RU60**



(1) Position of socket

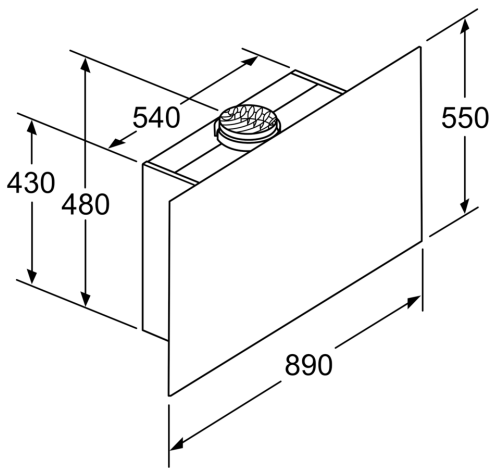
Note the maximum thickness of the back panel.

measurements in mm



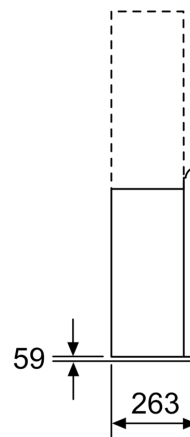
(1) Exhaust air
(2) Circulated air
(3) Air outlet – slot for exhaust air to be mounted facing down

measurements in mm



Appliance in circulated air mode
without duct
Circulated air set required

measurements in mm



measurements in mm

