

**Serie | 6, Wall-mounted cooker hood,
90 cm, Stainless steel
DWB98JQ50B**



The wall-mounted chimney hood: Mount it on the wall for complete freedom in your kitchen planning

- **PerfectAir sensor:** automatic control of settings for maximum extractor performance with minimal noise.
- **DirectSelect control:** direct selection of desired settings and light.
- **Extra quiet:** maximum extractor performance with minimal noise.
- **Intensive speed setting:** Removes strong kitchen odours quickly and effectively
- **Grease filtration level:** filters out over 85% of the grease from kitchen air

Technical Data

Typology :	Chimney
Approval certificates :	CE, VDE
Length electrical supply cord (cm) :	130
Height of the chimney (mm) :	582-908/568-1018
Height of product, without chimney (mm) :	46
Net weight (kg) :	19.827
Type of control :	Electronic
Number of speed settings :	3-stage + 2 intensive
Maximum output air extraction (m ³ /h) :	430
Boost position output recirculating (m ³ /h) :	385.0
Maximum output recirculating air (m ³ /h) :	311
Boost position air extraction (m ³ /h) :	843
Number of lights :	3
Noise level (dB(A) re 1 pW) :	55
Diameter of air outlet (mm) :	120 / 150
Grease filter material :	Washable stainless steel
Odour filter :	No
Operating Mode :	Convertible
Delay Shut off modes :	10
Optional accessories :	DHZ1223, DHZ1233, DHZ5345, DHZ5346, DWZ0XX0J5, DWZ1CX1I6, DWZ2CB1I4, DWZ2CX5C6, DWZ2FX5D1, DZZ0XX0P0, DZZ1XX1B6, DZZ2CB1B4
Type of lamps used :	LED
Grease filter type :	Kassette
Connection Rating (W) :	165
Current (A) :	10
Voltage (V) :	220-240
Frequency (Hz) :	50; 60
Plug type :	GB plug
Installation typology :	Wall-mounted
Material body :	Stainless steel
Approval certificates :	CE, VDE
Plug type :	GB plug
Dimensions of the product, with chimney (if exists) (in) :	/ x x
Dimensions of the packed product (in) :	23.03 x 25.59 x 38.18
Net weight (lbs) :	44.000
Gross weight (lbs) :	56.000
Motor location :	Integrated motor in hood chimney
No-return airflow flap :	No
Length electrical supply cord (cm) :	130
Dimensions of the product, with chimney (if exists) (mm) :	614-1064 x 898.0 x 500.0
Dimensions of the packed product (HxWxD) (mm) :	585 x 650 x 970
Net weight (kg) :	19.827
Gross weight (kg) :	25.6



Serie | 6, Wall-mounted cooker hood, 90 cm, Stainless steel DWB98JQ50B

**The wall-mounted chimney hood: Mount it
on the wall for complete freedom in your
kitchen planning**

Performance

- Extraction rate according to EN 61591 ø 15 cm:
max. Normal use 430 m³/h
Intensive 843 m³/h

Design

- 90 cm Wall Hood Hood, Silver metallic

Comfort:

- air quality sensor 1.1
- Automatic intensive revert after 6 min.
- Automatic run on for 10 min.
- Easy to clean yes
- softLight
- 3 x 1.5W LED
- Saturation indicator for metal and charcoal filter
- Removable metal grease filter, dishwasher safe
- 3 removable metal grease filters
- Energy Efficiency Class: A+

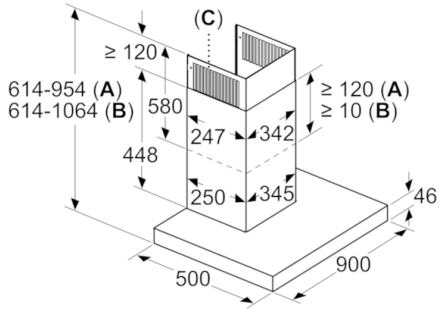
Technical information:

- Dimensions exhaust air (HxWxD mm): 614-954 x 898 x 500
- Dimensions recirculating (HxWxD mm): 614-1064 x 898 x 500
- Dimensions recirculating with CleanAir module (HxWxD mm):
689 x 898 x 500 - mounting with outer chimney
795-1139 x 898 x 500 - mounting with telescopic chimney
- Suitable for ducted or recirculating operation
- Diameter pipe Ø 150 mm (Ø 120 mm enclosed)
- Electrical cable length 1.3 m
- Voltage: 220 - 240 V

** In accordance with the EU-Regulation No 65/2014*

**Serie | 6, Wall-mounted cooker hood, 90 cm,
Stainless steel
DWB98JQ50B**

measurements in mm



- A: Air extraction
- B: Air recirculation
- C: Air outlet – slots for exhaust air to be mounted facing down

