

**Series 6, Wall-mounted cooker hood,
90 cm, Stainless steel
DWB097E50B**



DHZ1223	Chimney extension 1000 mm
DHZ1233	Chimney extension 1500 mm
DHZ5345	Standard recirculation kit
DHZ5346	Standard odor filter (replacement)
DSZ5201	CleanAir active carbon filter spare part
DSZ6240	CleanAir Recirculation Kit
DZZ0XX0P0	Long Life odor filter (replacement)

**The wall-mounted chimney hood: Mount it
on the wall for complete freedom in your
kitchen planning**

- **Extra silent:** the high-performance hood, with minimal noise.
- **Easy-to-clean interior:** hidden screws and cables along with rounded edges make cleaning easy.
- **Eco Silence Drive:** the powerful, energy-saving drive for hoods.
- **Intensive speed setting:** Removes strong kitchen odours quickly and effectively

Typology:Wall-mounted
Length electrical supply cord: 130.0 cm
Height of the chimney: 582-894/582-1004 mm
Height of product, without chimney: 60 mm
Net weight: 18.4 kg
Type of control:Electronic
Number of speed settings:3-stage + 2 intensive
Max. air extraction:460 m ³ /h
Boost position output recirculating: 440.0 m ³ /h
Max. air recirculation: 340 m ³ /h
Boost position air extraction: 730 m ³ /h
Number of lights: 3
Noise level:55 dB(A) re 1 pW
Diameter of air outlet: 150 / 120 mm
Grease filter material:Washable aluminium
Odour filter: No
Operating Mode:Convertible
Optional accessories: DHZ1223, DHZ1233, DHZ5345, DHZ5346, DSZ5201, DSZ6240, DZZ0XX0P0
Type of lamps used: LED
Total power of the lamps: 9 W
Grease filter type:Kassette
Connection rating: 139 W
Fuse protection:10 A
Voltage: 220-240 V
Frequency: 60; 50 Hz
Plug type: GB plug
Installation typology:Wall-mounted
Material body: Stainless steel
Plug type: GB plug
Dimensions of the product, with chimney (if exists) (in):x x
Dimensions of the packed product: 23.03 x 25.59 x 38.18
Net weight:41.000 lbs
Gross weight: 53.000 lbs
Motor location:Integrated motor in hood chimney
No-return airflow flap: No
Length electrical supply cord: 130.0 cm
Dimensions of the product, with chimney (if exists): 642-1064 x 900.0 x 500.0 mm
Dimensions of the packed product (HxWxD): 585 x 650 x 970 mm
Net weight: 18.4 kg
Gross weight: 24.1 kg
Delay Shut off modes: 10 min



Series 6, Wall-mounted cooker hood, 90 cm, Stainless steel DWB097E50B

The wall-mounted chimney hood: Mount it on the wall for complete freedom in your kitchen planning

Design

- 3 x LED 3W

Performance

- Max. extraction rate according to EN 61591: 730 m³/h

Key Functions

- 3 fan speeds setting plus 2 intensive
- Automatic intensive revert after 6 min.
- Dimmer function
- Automatic run on for 10 min.

Environment and safety:

- 3 removable metal grease filter

Comfort:

- Push button controls with digital display
- electronic controls via Push button controls with digital display

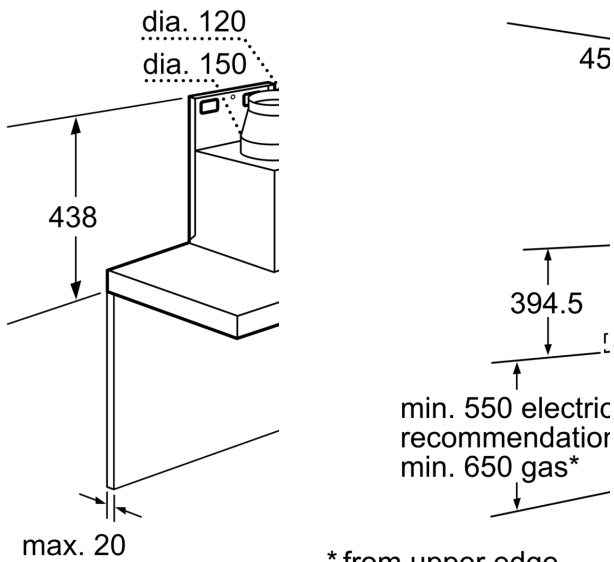
Measures:

- Dimensions recirculating with CleanAir module (HxWxD mm):
 - 689 x 900 x 500- mounting with outer chimney
 - 809-1139 x 900 x 500 - mounting with telescopic chimney
- Dimensions exhaust air (HxWxD mm): 642-954 x 900 x 500
- Diameter pipe Ø 150 mm (Ø 120 mm enclosed)
- Dimensions recirculating (HxWxD mm): 642-1064 x 900 x 500

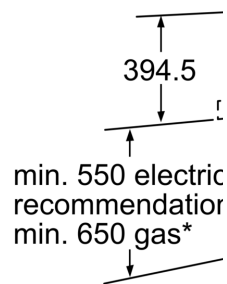
Technical information:

- 90 cm wide
- Wall mounted hood
- Suitable for ducted or recirculating operation
- Recirc. kit or clean air kit
- Wall fixing system
- Twin channel high performance fan motor
- Removable metal grease filter, dishwasher safe
- Saturation indicator for metal and charcoal filter
- 3 removable metal grease filter
- Automatic run on for 1-9 min
- Noise level according to EN 60704-3 and EN 60704-2-13 exhaust air:
 - Max. normal use:55 dB(A) re 1 pW (41dB(A) re 20 µPa sound pressure)
 - Intensive:65 dB(A) re 1 pW (51 dB(A) re 20 µPa sound pressure)

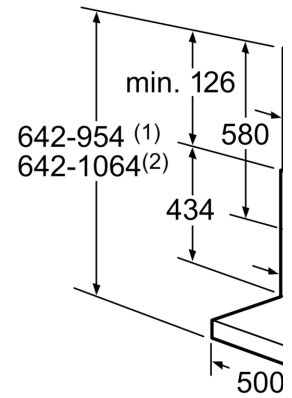
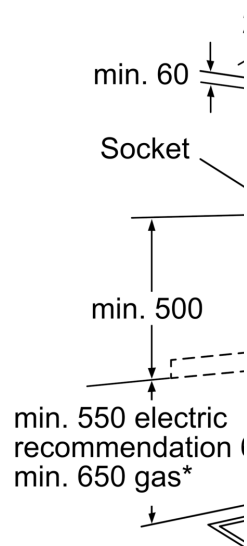
**Series 6, Wall-mounted cooker hood,
90 cm, Stainless steel
DWB097E50B**



* from upper edge of pan support



* from upper edge of pan support



- (1) Exhaust air
- (2) Circulated air
- (3) Air outlet - install vent at bottom for