

**Series 6, Wall-mounted cooker hood,  
90 cm, clear glass  
DWA098E50**



DHZ1225	Chimney extension 1000 mm
DHZ1235	Chimney extension 1500 mm
DHZ5325	Standard recirculation kit
DHZ5326	Standard odor filter (replacement)
DSZ5201	CleanAir active carbon filter spare part
DSZ6200	CleanAir Recirculation Kit
DZZ0XX0P0	Long Life odor filter (replacement)

**The wall-mounted chimney hood: Mount it  
on the wall for complete freedom in your  
kitchen planning**

- **especially silent:** maximal extractor performance with minimal noise
- **Easy-to-clean interior:** hidden screws and cables along with rounded edges make cleaning easy.
- **Eco Silence Drive:** the powerful, energy-saving drive for hoods.
- **Intensive speed setting:** Removes strong kitchen odours quickly and effectively

Typology:	Wall-mounted
Length electrical supply cord:	130.0 cm
Height of the chimney:	582-902/582-1012 mm
Height of product, without chimney:	52 mm
Net weight:	19.7 kg
Type of control:	Electronic
Number of speed settings:	3-stage + 2 intensive
Max. air extraction:	440 m <sup>3</sup> /h
Boost position output recirculating:	360.0 m <sup>3</sup> /h
Max. air recirculation:	300 m <sup>3</sup> /h
Boost position air extraction:	750 m <sup>3</sup> /h
Number of lights:	2
Noise level:	60 dB(A) re 1 pW
Diameter of air outlet:	150 / 120 mm
Grease filter material:	Washable aluminium
Odour filter:	No
Operating Mode:	Convertible
Optional accessories:	DHZ1225, DHZ1235, DHZ5325, DHZ5326, DSZ5201, DSZ6200, DZZ0XX0P0
Type of lamps used:	LED
Total power of the lamps:	6 W
Grease filter type:	Kassette
Connection rating:	166 W
Fuse protection:	10 A
Voltage:	220-240 V
Frequency:	60; 50 Hz
Plug type:	Gardy plug w/ earthing
Installation typology:	Wall-mounted
Material body:	Stainless steel, Glass
Plug type:	Gardy plug w/ earthing
Dimensions of the product, with chimney (if exists) (in):	x x
Dimensions of the packed product:	23.03 x 25.59 x 38.18
Net weight:	43.000 lbs
Gross weight:	55.000 lbs
Motor location:	Integrated motor in hood chimney
No-return airflow flap:	No
Length electrical supply cord:	130.0 cm
Dimensions of the product, with chimney (if exists):	634-1064 x 900.0 x 540.0 mm
Dimensions of the packed product (HxWxD):	585 x 650 x 970 mm
Net weight:	19.7 kg
Gross weight:	25.1 kg
Delay Shut off modes:	10 min



## **Series 6, Wall-mounted cooker hood, 90 cm, clear glass DWA098E50**

### **The wall-mounted chimney hood: Mount it on the wall for complete freedom in your kitchen planning**

---

#### **Performance**

- Suitable for ducted or recirculating operation
- Extraction rate according to EN 61591  $\varnothing$  15 cm:
  - max. Normal use 440 m<sup>3</sup>/h
  - Intensive 750 m<sup>3</sup>/h
- Noise level according to EN 60704-3 und EN 60704-2-13 at maximum normal use: 60 dB

#### **Design**

- Chimney hood with clear glass canopy
- Push button controls with digital display

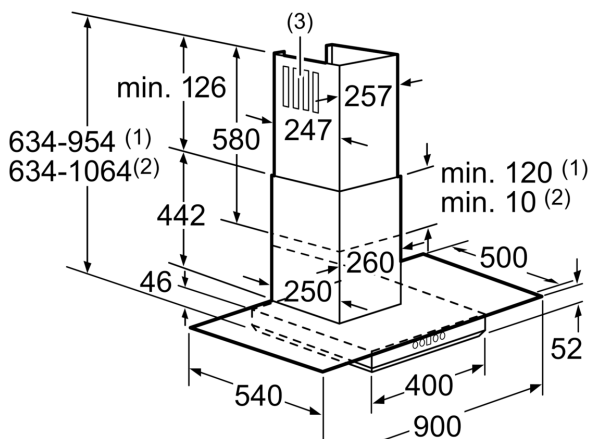
#### **Key Functions**

- 3 fan speeds setting plus 2 intensive
- Automatic intensive revert after 6 min.
- 2 x LED 3W
- Removable metal grease filter, dishwasher safe
- Efficient BLDC-technology

#### **Dimensions**

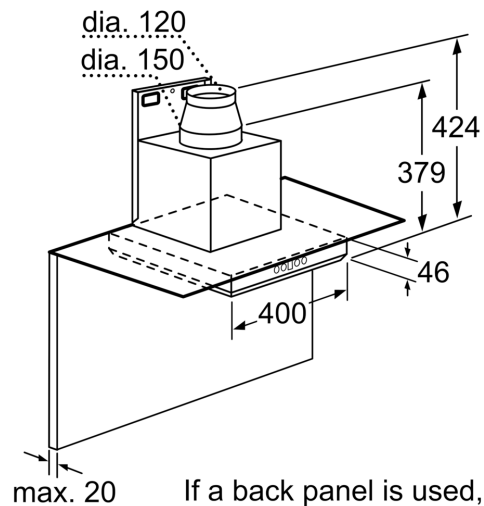
- Electrical connection rating: 166 W
- Diameter pipe  $\varnothing$  150 mm ( $\varnothing$  120 mm enclosed)
- Dimensions exhaust air (HxWxD mm): 634-954 x 900 x 540
- Dimensions recirculating (HxWxD mm): 634-1064 x 900 x 540
- Dimensions recirculating with CleanAir module (HxWxD mm):
  - 689 x 900 x 540- mounting with outer chimney
  - 809-1139 x 900 x 540 - mounting with telescopic chimney

**Series 6, Wall-mounted cooker hood,  
90 cm, clear glass  
DWA098E50**



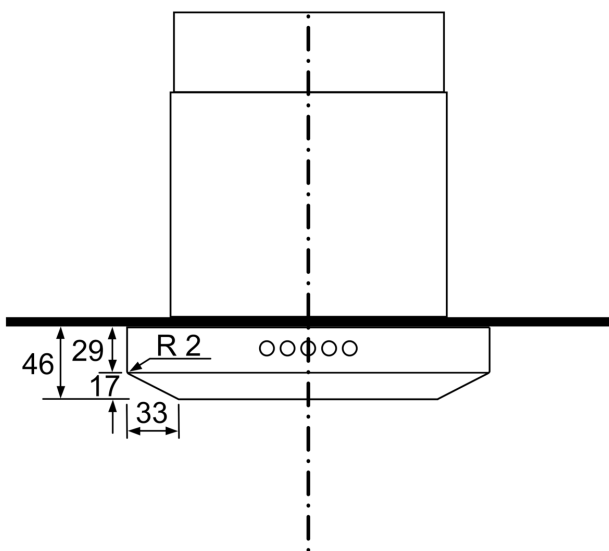
- (1) Exhaust air
- (2) Circulated air
- (3) Air outlet - Fit the exhaust air slot facing downwards

Measurements in mm

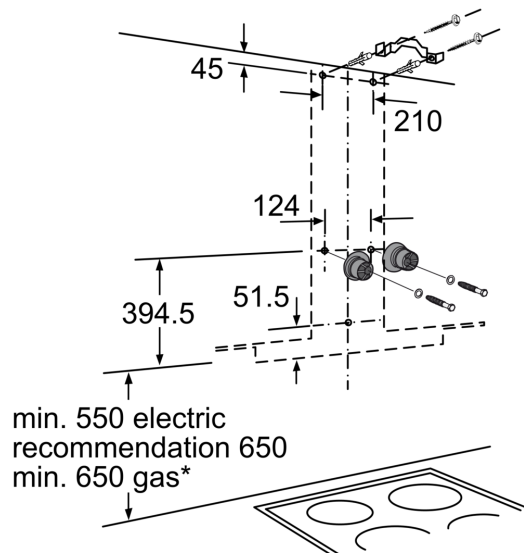


If a back panel is used, the design of the appliance must be considered.

Measurements in mm



Measurements in mm



\* From upper edge of pan support

Measurements in mm

