

**Serie | 4, Built-under cooker hood, 90 cm, Stainless steel
DHU965E**



The built-under cooker hood: Save space by mounting the hood beneath your upper cabinet or on the wall

- **Extraction rate:** 360 m³/h to ensure optimal kitchen air quality
- **Halogen lighting:** For optimal, energy-efficient illumination of your hob

Technical Data

Typology :	Traditional
Approval certificates :	CE, VDE
Length electrical supply cord (cm) :	130
Net weight (kg) :	11.134
Type of control :	Electronic
Number of speed settings :	3
Maximum output air extraction (m ³ /h) :	368
Maximum output recirculating air (m ³ /h) :	70
Number of lights :	2
Noise level (dB(A) re 1 pW) :	69
Diameter of air outlet (mm) :	120
Grease filter material :	Washable aluminium
Odour filter :	No
Operating Mode :	Convertible
Optional accessories :	DHZ2400
Type of lamps used :	Halogen
Total power of the lamps (W) :	40
Grease filter type :	Kassette
Connection Rating (W) :	200
Current (A) :	10
Voltage (V) :	220-230
Frequency (Hz) :	50
Plug type :	Gardy plug w/ earthing
Installation typology :	Built-under
Material body :	Stainless steel
Approval certificates :	CE, VDE
Plug type :	Gardy plug w/ earthing
Dimensions of the product, with chimney (if exists) (in) :	/ x x
Dimensions of the packed product (in) :	12.00 x 24.40 x 38.58
Net weight (lbs) :	25
Gross weight (lbs) :	26
Motor location :	Integrated motor in hood body
No-return airflow flap :	No
Length electrical supply cord (cm) :	130
Dimensions of the product, with chimney (if exists) (mm) :	120 x 898 x 500
Dimensions of the packed product (HxWxD) (mm) :	305 x 620 x 980
Net weight (kg) :	11.134
Gross weight (kg) :	12.0



**Serie | 4, Built-under cooker hood, 90 cm,
Stainless steel
DHU965E**

**The built-under cooker hood: Save space
by mounting the hood beneath your upper
cabinet or on the wall**

Performance

- Suitable for ducted or re-circulated extraction
- Max. extraction rate according to DIN/EN 61591: 360 m³/h
- Operating noise level according to EN 60704-3 and EN 60704-2-13 exhaust air at Max. normal use: 68 dB(A) re 1 pW

Functions

- Single motor
- Push button electronic controls
- 3 speeds
- 2 x 20 W halogen lights
- 3 removable metal grease filter

Design

- Built-under design

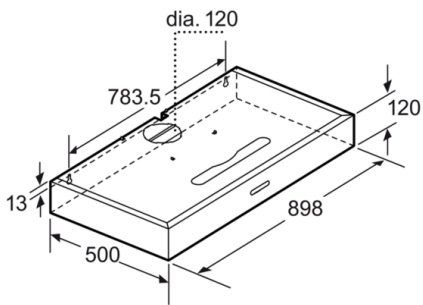
Safety functions

- Dishwasher safe grease filter

Technical information:

- 120 mm diameter pipe
- Power rating: 200 W

**Serie | 4, Built-under cooker hood, 90 cm,
Stainless steel
DHU965E**



measurements in mm