

**Series 8, Telescopic cooker hood, 90 cm, Silver metallic
DHI965V**



DHZ4505	Recirculating kit
DHZ4506	Active carbon filter
DHZ4910	Accessories extractor hoods
DHZ4950	Handle strip
DHZ4955	Handle strip
DHZ4970	Handle strip
DHZ4975	Handle strip

The telescopic cooker hood that disappears into your upper cabinet, giving you a sleek kitchen front.

- **especially silent:** maximal extractor performance with minimal noise
- **Intensive speed setting:** Removes strong kitchen odours quickly and effectively
- **Metal Grease Filter:** cleans the air, captures grease, easy monthly clean-up.

Typology: Pull-out
 Length electrical supply cord: 130.0 cm
 Min. required niche size for installation (HxWxD): 435mm x 556.0mm x 273mm mm
 Net weight: 15.1 kg
 Type of control: Electronic
 Number of speed settings: 3-stages + intensive setting
 Max. air extraction: 500 m³/h
 Boost position output recirculating: 430.0 m³/h
 Max. air recirculation: 330 m³/h
 Boost position air extraction: 740 m³/h
 Number of lights: 3
 Noise level: 58 dB(A) re 1pW
 Diameter of air outlet: 120 / 150 mm
 Grease filter material: Washable aluminium
 Odour filter: No
 Operating Mode: Convertible
 Optional accessories: DHZ4505, DHZ4506, DHZ4910, DHZ4950, DHZ4955, DHZ4970, DHZ4975
 Type of lamps used: Halogen
 Total power of the lamps: 60 W
 Grease filter type: Kasette
 Connection rating: 260 W
 Fuse protection: 10 A
 Voltage: 220-240 V
 Frequency: 50 Hz
 Plug type: Gardy plug w/ earthing
 Installation typology: Built-in
 Material body: Lacquered
 Plug type: Gardy plug w/ earthing
 Dimensions of the product, with chimney (if exists) (in): x x
 Dimensions of the packed product: 13.77 x 38.18 x 19.68
 Net weight: 33.000 lbs
 Gross weight: 39.000 lbs
 Motor location: Integrated motor in hood body
 No-return airflow flap: No
 Length electrical supply cord: 130.0 cm
 Dimensions of the product, with chimney (if exists): 475 x 897.0 x 273.0 mm
 Dimensions of the packed product (HxWxD): 350 x 970 x 500 mm
 Net weight: 15.1 kg
 Gross weight: 17.7 kg
 Delay Shut off modes: 10.0 min



Series 8, Telescopic cooker hood, 90 cm, Silver metallic DHI965V

The telescopic cooker hood that disappears into your upper cabinet, giving you a sleek kitchen front.

Performance

- Suitable for ducted or recirculating operation
- Max. extraction rate according to EN 61591: 740 m³/h
- Noise level according to EN 60704-3 and EN 60704-2-13 exhaust air:
- Max. normal use: 58 dB(A) re 1 pW (44 dB(A) re 20 µPa sound pressure)
- Intensive: 67 dB(A) re 1 pW (53 dB(A) re 20 µPa sound pressure)

Functions

- Quiet operation due to 2 high speed fans
- Push button controls electronic controls
- 3 speeds plus intensive setting
- softLight
- 2 removable metal grease filter

Features

- Automatic run on for 10 min
- Automatic switches back from intensive to normal setting
- Saturation indicator for metal and charcoal filter

Design

- Cupboard 60 or 90 cm
- electronic controls via Push button controls with digital display

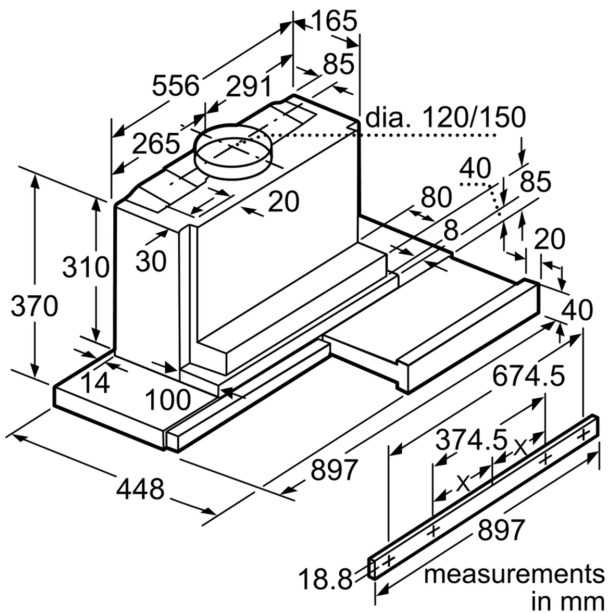
Safety functions

- Removable metal grease filter, dishwasher safe

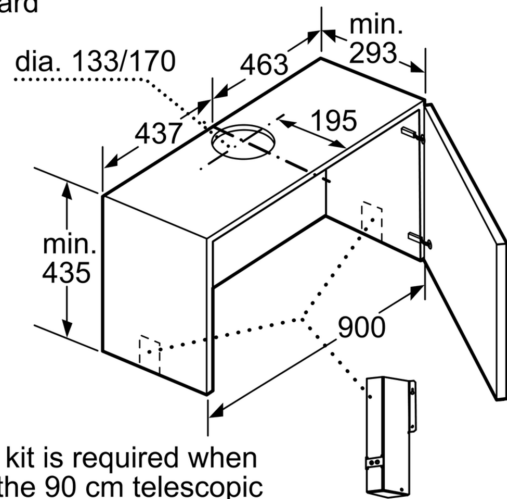
Technical information:

- 120 or 150 mm diameter pipe
- Electrical connection rating: 260 W

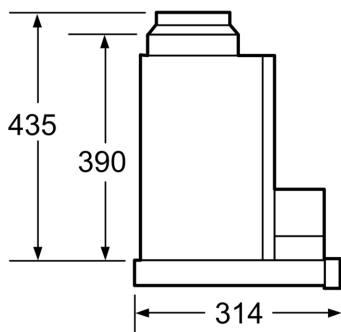
**Series 8, Telescopic cooker hood, 90 cm, Silver metallic
DHI965V**



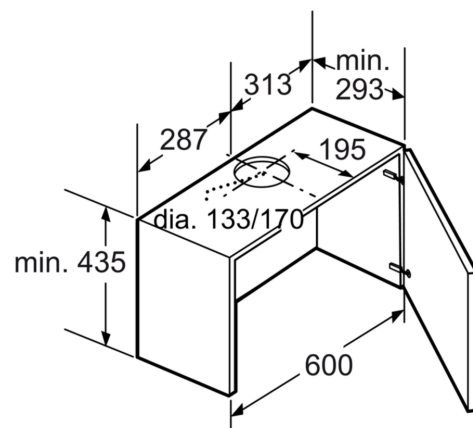
Telescopic hoods in 90 cm wall-hanging cupboard



Fitting kit is required when fitting the 90 cm telescopic hood in the 90 cm wide wall-hanging cupboard measurements in mm



measurements in mm



Measurements in mm