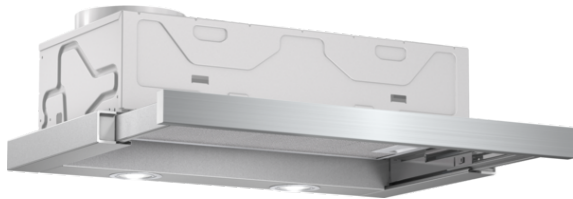


Serie | 2, Telescopic cooker hood, 60 cm, Silver metallic DFM063W50B



The telescopic cooker hood that disappears into your upper cabinet, giving you a sleek kitchen front.

- **Especially quiet:** High performance at just 62 dB
- **Extraction rate:** A remarkable power of 750 m³/h which ensures optimal kitchen air quality.
- Converts to Recirculation Mode with Accessory Kit (Separate Purchase Required)
- Absorbs odors with Charcoal Replacement Filters (Available for sale)
- Ducted or Non-ducted Options

Technical Data

Typology :	Pull-out
Approval certificates :	CE, G-Mark, VDE
Length electrical supply cord (cm) :	175
Required niche size for installation (HxWxD) :	162mm x 526.0mm x 290mm
Net weight (kg) :	8.386
Type of control :	mechanical
Number of speed settings :	2
Maximum output air extraction (m ³ /h) :	331
Number of lights :	2
Noise level (dB(A) re 1 pW) :	64
Diameter of air outlet (mm) :	150 / 120
Grease filter material :	Washable aluminium
Odour filter :	No
Operating Mode :	Convertible
Optional accessories :	DSZ4545, DSZ4551, DSZ4652, DSZ4656
Type of lamps used :	Halogen
Total power of the lamps (W) :	40
Grease filter type :	Kassette
Connection Rating (W) :	130
Current (A) :	10
Voltage (V) :	220-240
Frequency (Hz) :	50
Plug type :	GB plug
Installation typology :	Built-in
Material body :	zinc plated
Approval certificates :	CE, G-Mark, VDE
Plug type :	GB plug
Dimensions of the product, with chimney (if exists) (in) :	/ x x
Dimensions of the packed product (in) :	12.20 x 25.19 x 14.17
Net weight (lbs) :	18
Gross weight (lbs) :	22
Motor location :	Integrated motor in hood body
No-return airflow flap :	No
Length electrical supply cord (cm) :	175
Dimensions of the product, with chimney (if exists) (mm) :	203 x 598.0 x 290.0
Dimensions of the packed product (HxWxD) (mm) :	310 x 640 x 360
Net weight (kg) :	8.386
Gross weight (kg) :	10.0



**Serie | 2, Telescopic cooker hood, 60 cm,
Silver metallic
DFM063W50B**

**The telescopic cooker hood that disappears
into your upper cabinet, giving you a sleek
kitchen front.**

Performance

- Suitable for ducted or recirculating operation
- Maximum extraction rate according to EN 61591: 331 m³/h
- Noise level according to EN 60704-3 und EN 60704-2-13 at maximum normal use: 64 dB

Design

- For installation into a 60cm wide cupboard
- 60 cm wide
- Silver Metallic lacquer
- Rocker switches for extractor speeds and light

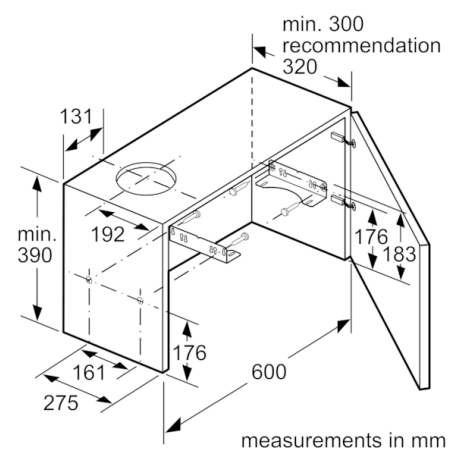
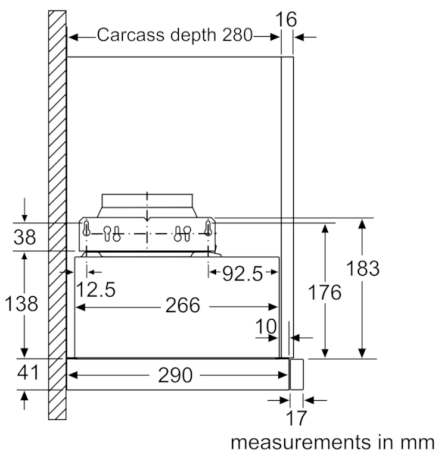
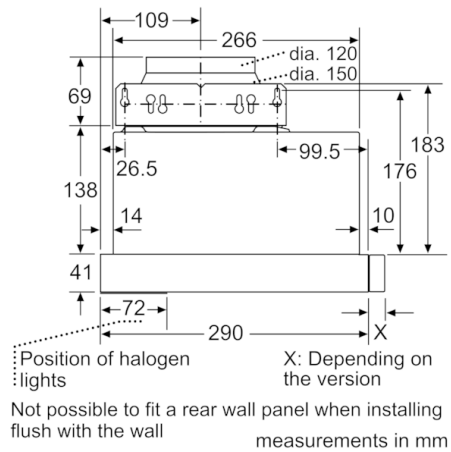
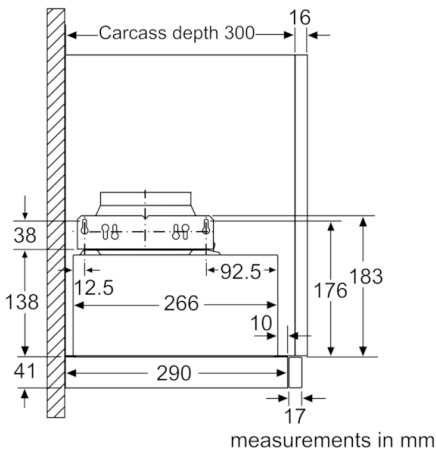
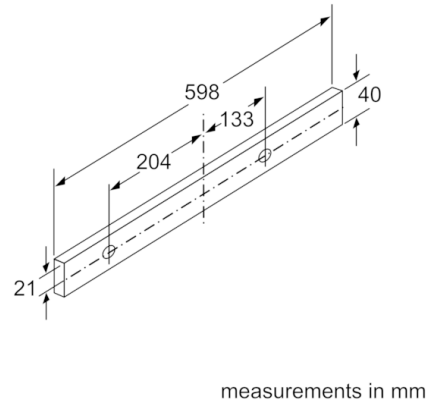
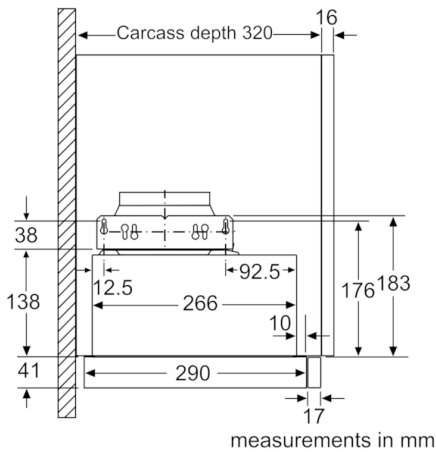
Key Functions

- 2 x 20 W halogen lights
- 2 fan speeds settings
- Removable metal grease filter, dishwasher safe

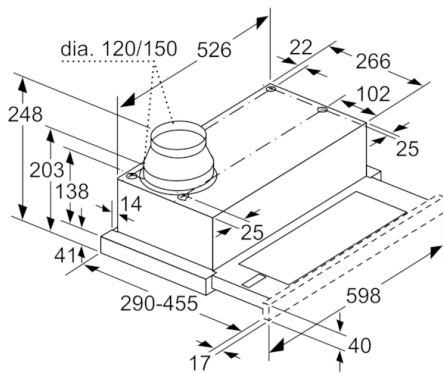
Dimensions

- Dimensions of the product, with chimney (if exists) (HxWxD mm): 203 x 598 x 290
- Electrical connection rating: 130 W
- Diameter pipe Ø 150 mm (Ø 120 mm enclosed)
- Required niche size for installation (HxWxD mm): 162 x 526 x 290

**Serie | 2, Telescopic cooker hood, 60 cm,
Silver metallic
DFM063W50B**



**Serie | 2, Telescopic cooker hood, 60 cm,
Silver metallic
DFM063W50B**



Not possible to adjust the depth of the
filter pull-out
measurements in mm