

**Series 8, Built-in compact oven with steam function, 60 x 45 cm, Stainless steel  
CSG656RS1**



1 x grid, 1 x universal pan, punched, size XL, 1 x steam container, unpunched, size S

HEZ660060 Strip, HEZ664000 Baking and roasting grid (steam), HEZ915003 Glass roasting dish, 5,4 L, HEZ36D163 Steam container, unpunched, size S, HEZ36D163G Steam container, punched, size S, HEZ530000 Half tray, HEZ531010 Baking tray, non-stick ceramic coated, HEZ532010 Universal pan, non-stick ceramic coated, HEZ617000 Pizza pan, enamelled, HEZ625071 Grill tray, anthracite, HEZ631070 Baking tray, enamelled, HEZ632070 Multipurpose pan, enamelled, HEZ636000 Glass pan, HEZ660050 Cover Strip, HEZG0AS00 Connecting cable 3m

**The compact steam oven with PerfectBake and PerfectRoast: you get perfect results, automatically and gently.**

- **PerfectRoast:** precise measurement of core temperature for a perfect roast.
- **Steam function:** for gentle, healthy food preparation.
- **Added steam:** your foods turn out crispy on the outside and juicy on the inside.
- **TFT touchscreen control:** easy-to-use thanks to the control ring with full text and images.
- **EcoClean Direct:** easy cleaning thanks to a coating that breaks down grease while you bake.

Gross weight: ..... 83.000 lbs  
 Built-in / Free-standing: ..... Built-in  
 Door opening: ..... Drop down  
 Min. required niche size for installation (HxWxD): 450-455 x 560-568 x 550 mm  
 Dimensions: ..... 455 x 594 x 548 mm  
 Dimensions of the packed product (HxWxD): ..... 520 x 660 x 710 mm  
 Control Panel Material: ..... Stainless steel  
 Door Material: ..... Glass  
 Net weight: ..... 35.6 kg  
 Length electrical supply cord: ..... 150.0 cm  
 Cooking method: ..... Defrost, - Steam 100oC, - Fermentation, - Regeneration, 4D hot air, Dehydrate, Full width grill, Hot Air-Eco, Intensive heat, Half width grill, Conventional heat, Conventional heat ECO, Pizza setting, low temperature cooking, Bottom heat, Hot air grilling, pre-heating, warming  
 Time-setting Options: ..... Start and Stop  
 Fuse protection: ..... 16 A  
 Voltage: ..... 220-240 V  
 Frequency: ..... 60; 50 Hz  
 Plug type: ..... Gardy plug w/ earthing  
 Energy input: ..... Electric  
 Fuse protection: ..... 16 A  
 Voltage: ..... 220-240 V  
 Frequency: ..... 60; 50 Hz  
 Plug type: ..... Gardy plug w/ earthing  
 Dimensions of the packed product: ..... 20.47 x 25.98 x 27.95  
 Net weight: ..... 79.000 lbs  
 Included accessories: ..... 1 x grid, 1 x universal pan, 1 x steam container, punched, size S, 1 x steam container, punched, size XL, 1 x steam container, unpunched, size S



## **Series 8, Built-in compact oven with steam function, 60 x 45 cm, Stainless steel CSG656RS1**

**The compact steam oven with PerfectBake and PerfectRoast: you get perfect results, automatically and gently.**

### **Performance**

- Compact steam oven with 14 heating methods: - 4D hot air, - Hot Air-Eco, - Conventional heat, - Conventional heat ECO, - Hot air grilling, - Full width grill, - Half width grill, - Pizza setting, - Bottom heat, - Intensive heat, - Low temperature cooking, - Preheating, - Dehydrate, - Keep warm
- Energy efficiency rating A+
- Additional heating methods with steam:
  - Steam 100oC
  - Regeneration - Fermentation - Defrost

### **Functions**

- Ecolyse features: ceiling, back panel, side liners
- Temperature range 30 °C - 250 °C

### **Features**

- Cavity volume: 47 l
- Water tank capacity: with 1 l
- PerfectRoast multipoint temperature probe
- PerfectBakebaking sensor
- LED display control (red)
- Supporting systems: Dish categories
- Rapid heating-up
- Oven functions:
  - Digital temperature display with proposal
  - Actual temperature display - Heating-up indicator Meat probe - Sabbath setting

### **Design**

- Intuitive Control Ring
- Electronic clock
- LED light switch for oven illumination

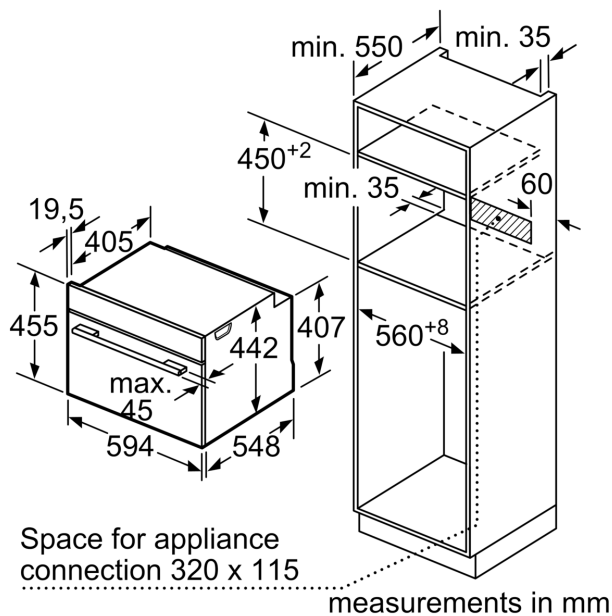
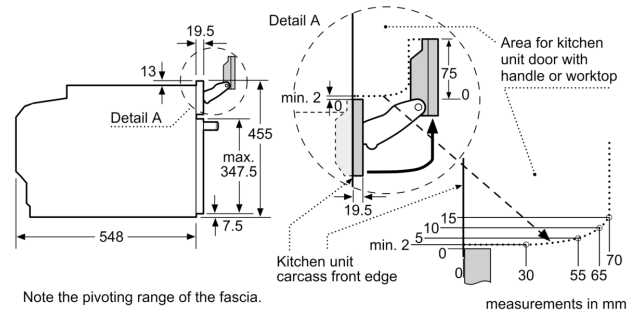
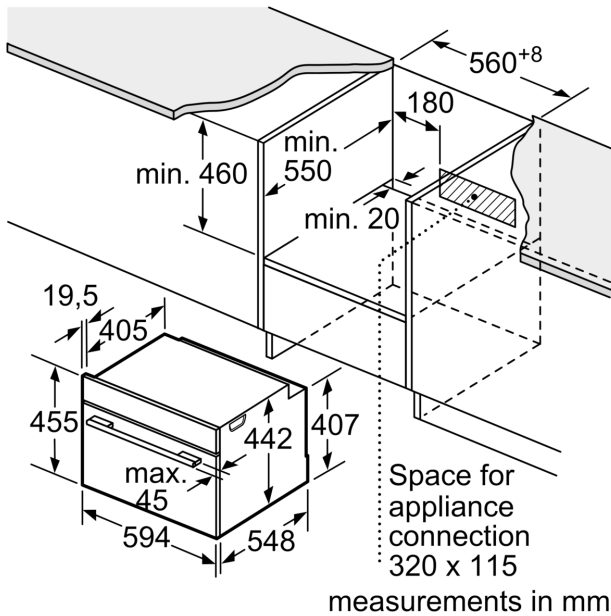
### **Safety Functions:**

- Child lock, Residual heat indicator, Automatic switch off, Start and Stop button, door contact switch
- Maximum window temperature 40° C
- Full glass inner door
- Integral cooling fan

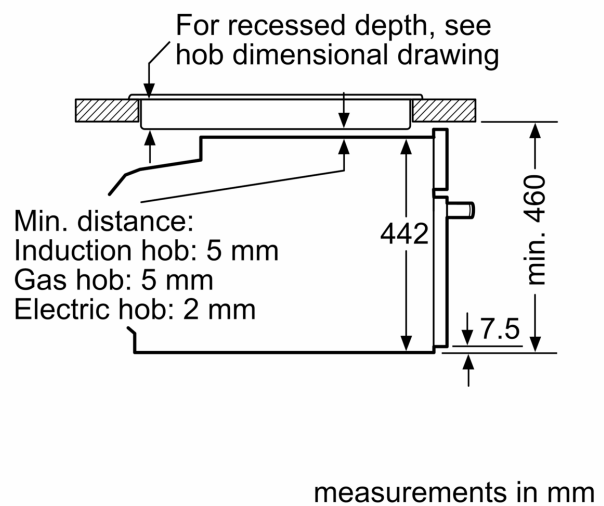
### **Technical Information**

- Electrical connection rating: 3300 W
- Length of mains cable: 150 cm
- Dimensions of the product (HxWxD mm) : 455 x 594 x 548
- Required niche size for installation (HxWxD mm): 450 - 455 x 560 - 568 x 550

**Series 8, Built-in compact oven with steam function, 60 x 45 cm, Stainless steel**  
**CSG656RS1**



**Installation with a hob.**



If the compact appliance will be installed underneath a hob, the following worktop thicknesses (including substructure if necessary) must be taken into account.

<b>Hob type</b>	<b>min. worktop thickness</b>	
	fitted	flush
Induction hob	42 mm	43 mm
Full surface Induction hob	52 mm	53 mm
Gas hob	32 mm	43 mm
Electric hob	32 mm	35 mm