

**Series 8, Built-in oven, 60 x 60 cm,
Stainless steel
HBG656RS1M**



2 x combination grid, 1 x universal pan

HEZ327000 Pizza stone, HEZ530000 Half tray, HEZ531010 Baking tray, non-stick ceramic coated, HEZ532010 Universal pan, non-stick ceramic coated, HEZ617000 Pizza pan, enamelled, HEZ625071 Grill tray, anthracite, HEZ631070 Baking tray, enamelled, HEZ632070 Multipurpose pan, enamelled, HEZ633001 Lid for professional pan, enamelled, HEZ633070 Professional pan with grid, enamelled, HEZ634000 Baking and roasting grid, HEZ635000 Barbecue-Set, HEZ636000 Glass pan, HEZ638200 2 level telescopic shelf rails, full ext, HEZ638300 3 level telescopic rails, full ext, HEZ660050 Cover Strip, HEZ664000 Baking and roasting grid, steam, HEZ915003 Glass roasting dish, 5,4 L

The built-in oven with PerfectBake and PerfectRoast: you get perfect baking and roasting results – automatically.

- **4D hotair:** even heat distribution for perfect results – on any level.
- **TFT-touchdisplay:** easy-to-use thanks to the control ring with clear text and images.
- **EcoClean Direct:** less cleaning effort thanks to a special coating of the rear-, side wall and roof that automatically absorbs grime, incl. regeneration programme.
- **Flap door with SoftOpen and SoftClose:** the oven door opens and closes especially gently and quietly.
- **1-stage telescoping rails, fully extendable:** for safe, easy insertion and removal of baking trays.

Gross weight: 39.3 kg
 Built-in / Free-standing: Built-in
 Integrated Cleaning system: EcoClean program, Hydrolytic Min. required niche size for installation (HxWxD): 585-595 x 560-568 x 550 mm
 Dimensions: 595x594x548 mm
 Dimensions of the packed product (HxWxD): 670 x 670 x 680 mm
 Control Panel Material: Stainless steel
 Door Material: Glass
 Net weight: 36.9 kg
 Usable volume of cavity: 71 l
 Heating modes:: 4D hotair, Defrost, Full width grill, Hot Air-Eco, Half width grill, Conventional heat, Conventional heat ECO, Pizza setting, low temperature cooking, Bottom heat, Hot air grilling, pre-heating, warming
 Number of interior lights: 1
 Length electrical supply cord: 120.0 cm
 Interior Lights - cavity 1: 1
 Pull-out system: 1-level
 Included accessories: 2 x combination grid, 1 x universal pan
 Broil Element Wattages cavity 1: 2800 W
 Convection Element Wattages cavity 1: 2200 W
 Energy efficiency class: A+
 Energy consumption per cycle conventional (2010/30/EC): 0.87 kWh/cycle
 Energy consumption per cycle forced air convection (2010/30/EC): 0.69 kWh/cycle
 Energy efficiency index (2010/30/EC): 81.2 %
 Connection rating: 3600 W
 Fuse protection: 16 A
 Voltage: 220-240 V
 Frequency: 50; 60 Hz
 Plug type: No plug (electrical connection by electrician)
 Energy input: Electric
 Required cutout/niche size for installation (in): x
 Dimensions of the packed product: 26.37 x 26.37 x 26.77
 Net weight: 81.000 lbs
 Gross weight: 87.000 lbs
 Length electrical supply cord: 120.0 cm
 Net weight: 36.9 kg



Series 8, Built-in oven, 60 x 60 cm, Stainless steel HBG656RS1M

The built-in oven with PerfectBake and PerfectRoast: you get perfect baking and roasting results – automatically.

- Energy efficiency rating (acc. EU Nr. 65/2014): A+(at a range of energy efficiency classes from A+++ to D)
- Energy consumption per cycle in conventional mode: 0.87 kWh
Energy consumption per cycle in fan-forced convection mode: 0.69 kWh
Number of cavities: 1 Heat source: electrical Cavity volume: 71 l

Type of oven / heating system:

- Oven with 13 heating methods: 4D hotair, Hotair Eco,, Conventional heat, Conventional heat ECO, Hot air grilling, Full width grill, Half width grill, Pizza setting, Bottom heat, Low temperature cooking, Defrost, Preheating, Hold warm
- Cavity volume: 71 l

Design:

- Cavity inner surface: enamel anthracite

Cleaning:

- EcoClean Direct: coating of ceiling, back panel, side liners
- EcoClean program
- Innerdoor main: Full glass inner door

Comfort:

- 3x 2,5"-TFT color and graphics display with direct touch function
- Temperature proposal
- Actual temperature display Heating-up control Meat probe Sabbath setting
- Oven door with SoftOpen and SoftClose, Drop down door
- Supporting systems: Dish Assist
- baking sensor
- multipoint temperature probe
- Electronic clock
- Rapid heating-up
- Halogen interior lighting, Switch for oven illumination
- Integral cooling fan
- Stainless-steel fan
- Info button

Hook-in racks / rails

- Cavity with shelf support rails, 1 level telescopic shelf, full extension, with Stop function

Accessory:

- combination grid, universal pan

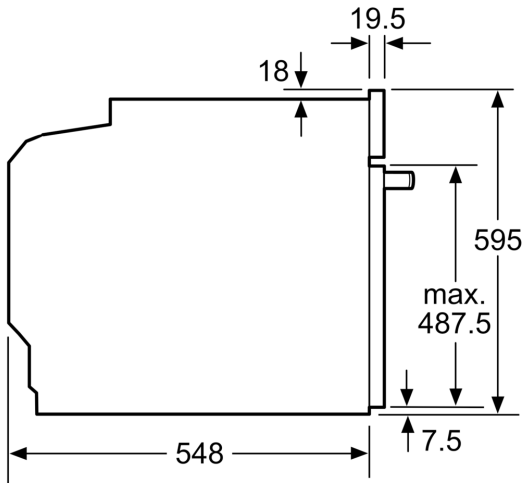
Environment and Safety:

- low door temperature
- Child lock
- Automatic switch off Residual heat indicator Start-/Stop button
Door contact switch

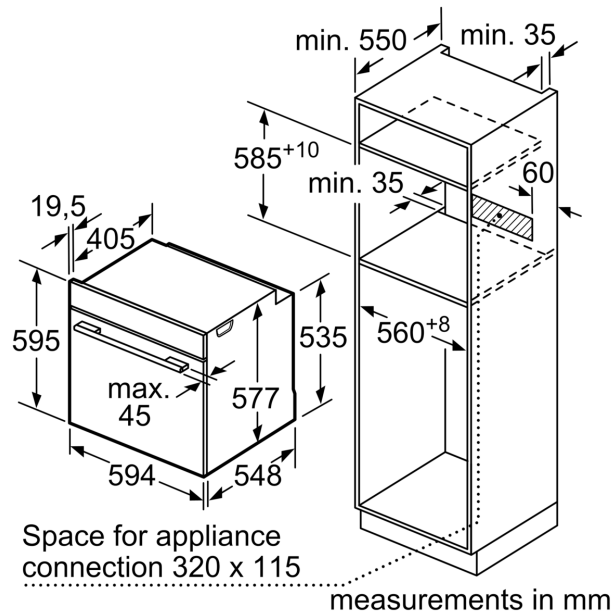
Technical Information

- Length of mains cable: 120 cm
- Total connected load electric: 3.6 KW
- Appliance dimension (hxwx): 595 mm x 594 mm x 548 mm
- Niche dimension (hxwx): 585 mm - 595 mm x 560 mm - 568 mm x 550 mm
- "Please reference the built-in dimensions provided in the installation drawing"

**Series 8, Built-in oven, 60 x 60 cm,
Stainless steel
HBG656RS1M**



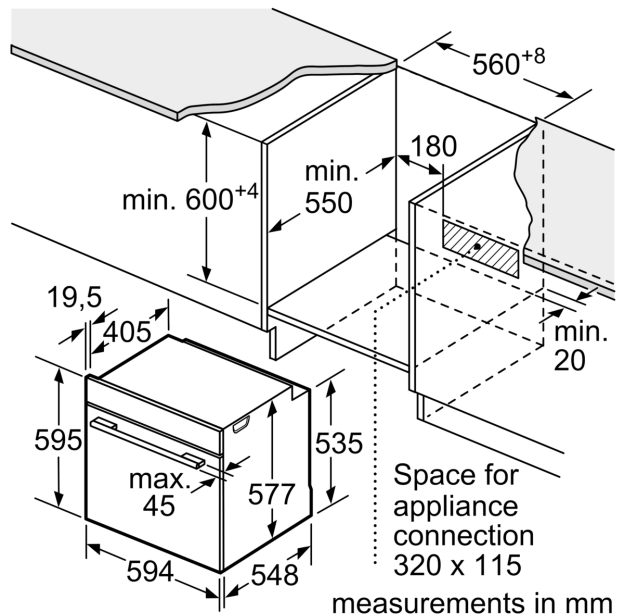
measurements in mm



measurements in mm

If the appliance will be installed underneath a hob, the following worktop thicknesses (including substructure if necessary) must be taken into account.

Hob type	min. worktop thickness	
	fitted	flush
Induction hob	37 mm	38 mm
Full surface Induction hob	47 mm	48 mm
Gas hob	30 mm	38 mm
Electric hob	27 mm	30 mm



measurements in mm