

## Series 8, Heat pump tumble dryer, 8 kg WTX88M20AU



- **Auto Dry:** automatically dries to the exact degree of dryness you want.
- **Self Cleaning Condenser:** keeps the condenser free of lint to maintain optimal energy efficiency.
- **Anti Vibration Design:** extremely stable and extraordinarily quiet thanks to special vibration protection.
- **Comfort Display:** easy to operate thanks to a big display.
- **Sensitive Drying System:** for gentle drying without wrinkles.

Built-in / Free-standing: ..... Free-standing  
 Removable top: ..... No  
 Door hinge: ..... Right  
 Length electrical supply cord: ..... 145.0 cm  
 Dimensions: ..... 842x598x613 mm  
 Net weight: ..... 55.5 kg  
 Fluorinated greenhouse gases: ..... No  
 Hermetically sealed equipment: ..... Yes  
 EAN code: ..... 4242005206247  
 Connection rating: ..... 600 W  
 Fuse protection: ..... 10 A  
 Voltage: ..... 220-240 V  
 Frequency: ..... 50 Hz  
 Loading capacity: ..... 8.0 kg  
 Energy efficiency rating: ..... A+++



- WMZ20600 Wool in basket - accessory
- WTZ27400 Stacking kit with pull-out shelf
- WTZ27410 Stacking kit
- WTZPW20D Platform with pull-out, dryer, cubic

## Series 8, Heat pump tumble dryer, 8 kg WTX88M20AU

- Energy efficient premium dryer with a 10 Energy Stars rating : enjoy excellent running costs and excellent drying performance – for the life of the dryer.

### Capacity

- Capacity: 8 kg

### Consumption rates

- 10 Star energy rating  
- Energy consumption 98kWh per year on Cottons, Cupboard Dry +, Drying level 1, used once per week. When tested in accordance with AS/NZS 2442.2. Actual energy use and running costs will depend on how you use the appliance.

### Programs

- Dryer Program options: AllergyPlus, Cottons, shirts/blouses, Down wear, Delicates: items made from satin, synthetic or blended fabrics, Towels, Mixed Load Program, Super 40 minute program: Mixed load of synthetic fabrics and light colours , Sportswear Program, Quilt/Duvet, Easy Care, Wool Finish - specialised wool drying function, Timed program cold, Timed program warm  
- Touch control buttons: Finished in - a 24 hour delayed start option, by selecting when the load is finished, Easy Iron 60' - Dryer will move laundry regularly to prevent creasing up to 60 mins, Easy Iron 120' - Dryer will move laundry regularly to prevent creasing up to 120 mins , Child lock 3 sec., Power button, Remote Start, Low Heat a reduced temperature for delicate fabrics like polyacrylic or elastane, may increase drying time., End Signal: activate or deactivate the audible signal at the end of the program, Start/Pause the program, Drying Level - an option for adjusting the degree of dryness, if the laundry it still too damp, there are 3 levels to select from., Drying Target: sets the desired dryness level with 3 levels, Cupboard Dry for regular items. Cupboard Dry Plus for thicker garments. Iron Dry for items that still need a to be a little damp after drying for ironing or hanging up,

### Performance

- ActiveAir heat pump technology, existing heat is reused efficiently during the entire drying process  
- Noise level: 62 dB (A)  
- Automatic anti-crease cycle (120 minutes)

### Features

- SelfCleaning Condenser: the condenser automatically cleans itself and does not require any manual cleaning. This also helps to ensure the dryer performs economically with optimal energy efficiency  
- Large LED-Display for remaining time and 24 h end time delay, program status indication, special functions.  
- Sensitive drying system: textile friendly drum design and SoftFlow paddles ensure soft, fluffy laundry and helps to reduce creasing  
- Low Heat option for delicate and synthetic fabrics  
- Buzzer to indicate the end of cycle  
- Time delay to select end of time of your wash (1-24 hours) and time remaining indicator

### Design and Safety

- AntiVibration Side Panels reduce vibrations and ensure greater stability during the drying process.  
- side opening door, hinge right  
- Glass door

### Safety

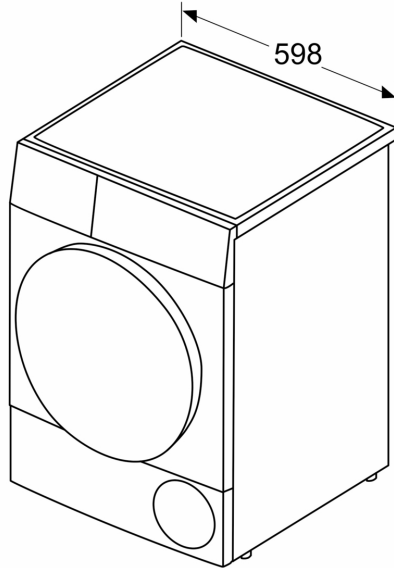
- Child lock

### Technical Information

- 842 mm x 598 mm x 613 mm (652 mm with door frame)

**Series 8, Heat pump tumble dryer, 8  
kg  
WTX88M20AU**

Measurements in mm



Measurements in mm

