

**Series 8, Heat pump tumble dryer, 9 kg
WTW87564AU**



Optional accessories

WTZ11400 : Stacking kit with pull-out shelf
WTZ20410 : Stacking kit

8 Energy Stars, Excellent Energy Efficiency and Drying Performance

- **SelfCleaning Condenser:** keeps the condenser free of lint to maintain energy efficiency.
- **Display for time remaining:** you always know when your laundry will be dry.
- **AntiVibration Side Panels** reduce vibrations and ensure greater stability during the washing and spinning process.
- **AntiVibration Design:** extremely stable and especially quiet thanks to special vibration protection.
- **Sensitive Drying System:** for gentle drying without wrinkles.

Technical Data

Built-in / Free-standing : Free-standing
Removable top : No
Door hinge : Right
Length electrical supply cord : 145.0 cm
Height of removable worktop : 0 mm
Dimensions : 842 x 598 x 613 mm
Net weight : 53.4 kg
Fluorinated greenhouse gases : No
Type of refrigerant : R290
Hermetically sealed equipment : Yes
The quantity expressed in CO2 equivalent : 0.000 t
EAN code : 4242005154005
Connection Rating : 1000 W
Fuse protection : 10 A
Voltage : 220-240 V
Frequency : 50 Hz
Capacity cotton - NEW (2010/30/EC) : 9.0 kg
Energy efficiency rating : A++



4 242005 154005

Series 8, Heat pump tumble dryer, 9 kg WTW87564AU

8 Energy Stars, Excellent Energy Efficiency and Drying Performance

Safety

- Child lock
- Duo-Tronic Sensors monitors moisture levels and temperature to reach desired levels of dryness and to prevent overheating

Technical Information

- Capacity: 9 kg
- 842 mm x 598 mm x 613 mm (652 mm with door frame)
- 39 cm porthole, 170 °° swing door

Consumption rates

- 8 Energy Stars, Energy consumption 135kWh per year on Cottons, Cupboard Extra Dry, Drying level 1, used once per week

Programs

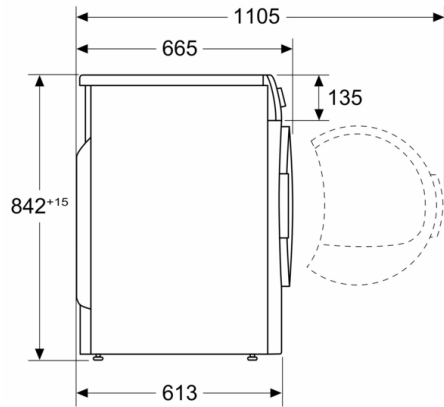
- Cottons, Easy Care, Mix, Delicates, Wool finish, Timed Program Cold, Timed Program Warm, AllergyPlus, Super Quick 40', Towels, Sportswear, Down Wear, Duvet, Shirts/Blouses

Features

- Self Cleaning Condenser automatically cleans itself and keeps the dryer running at peak efficiency at all times
- LED Display for remaining time and 24 Hr end time delay, programme status indication, special functions
- Touch control buttons: Low Heat a reduced temperature for delicate fabrics like polyacrylic or elastane, may increase drying time., End Signal: activate or deactivate the audible signal at the end of the program, Finished in - a 24 hour delayed start option, by selecting when the load is finished, start/pause, Drying Target: sets the desired dryness level with 3 levels, Cupboard Dry for regular items. Cupboard Dry Plus for thicker garments. Iron Dry for items that still need a to be a little damp after drying for ironing or hanging up, Power button, Drying Level - an option for adjusting the degree of dryness, if the laundry it still too damp, there are 3 levels to select from., Child lock 3 sec., Easy Iron 60' - Dryer will move laundry regularly to prevent creasing up to 60 mins, Easy Iron 120' - Dryer will move laundry regularly to prevent creasing up to 120 mins , 24 h Finished in - a 24 hour delayed start option, by selecting when the load is finished
- ActiveAir Technology
- Sensitive Drying system combines warm air currents and a gentle drum structure for dry clothes
- Fine-adjustment of drying intensity to customise your preferred level of dryness
- Anti-Vibration Side Panels reduce vibrations and ensure greater stability during the drying process.
- Anti-crease cycle 120 min at the end of programme
- Low Heat option for delicate and synthetic fabrics
- Buzzer at the end of the programme

**Series 8, Heat pump tumble dryer, 9 kg
WTW87564AU**

Measurements in mm



Measurements in mm

