

**Series 6, Heat pump tumble dryer, 8 kg  
WTR85T00AU**



**Optional accessories**

WTZ27400 : Stacking kit with pull-out shelf  
WTZ27410 : Stacking kit

**Excellent energy efficiency and Drying performance, Everytime.**

- **AutoDry:** automatically dries to the exact degree of dryness you'd like.
- **SensitiveDrying System:** for gentle drying without wrinkles.
- **Anti-crease:** laundry is automatically loosened once program finished and does not crease.
- **AntiVibration Design:** extremely stable and especially quiet thanks to special vibration protection.
- **Display for time remaining:** you always know when your laundry will be dry.

**Technical Data**

Built-in / Free-standing : Free-standing  
Removable top : No  
Door hinge : Right  
Length electrical supply cord : 145.0 cm  
Height of removable worktop : 0 mm  
Dimensions of the product : 842 x 598 x 613 mm  
Net weight : 48.8 kg  
Fluorinated greenhouse gases : No  
Type of refrigerant : R290  
Hermetically sealed equipment : Yes  
Quantity of fluorinated gases : 0.120 kg  
The quantity expressed in CO2 equivalent : 0.000 t  
EAN code : 4242005206988  
Connection Rating : 600 W  
Fuse protection : 10 A  
Voltage : 220-240 V  
Frequency : 50 Hz  
Approval certificates : CE, VDE  
Capacity cotton - NEW (2010/30/EC) : 8.0 kg  
Energy efficiency rating : A++



4 242005 206988

## Series 6, Heat pump tumble dryer, 8 kg WTR85T00AU

### Excellent energy efficiency and Drying performance, Everytime.

#### Capacity

- Capacity: 8 kg

#### Consumption rates

- 8 Energy Stars
- Energy consumption 135kWh per year on Cottons, Cupboard Extra Dry, Drying level 1, used once per week. When tested in accordance with AS/NZS 2442.2. Actual energy use and running costs will depend on how you use the appliance.

#### Programs

- Cotton Program options: Cupboard-dry, Iron dry, Cupboard dry extra. Easy Care Program options: Iron dry, Cupboard-dry, cupboard dry extra Optional Programs: shirts/blouses, Delicates, towels, Mixed Load Program, Super 40 minute program: Mixed load of synthetic fabrics and light colours , Sportswear Program, Wool Finish - specialised wool drying function, Timed program cold, Timed program warm
- Touch Control buttons: Finished in - a 24 hour delayed start option, by selecting when the load is finished, Easy Iron - drying option for an easy iron finish, Drying Time: extend the drying time on selected drying programs, Low Heat a reduced temperature for delicate fabrics like polyacrylic or elastane, may increase drying time., End Signal: activate or deactivate the audible signal at the end of the program, Drying Level - an option for adjusting the degree of dryness, if the laundry it still too damp, there are 3 levels to select from., Start / Reload / Pause

#### Performance

- Noise level: pleasantly quiet at 64dB(A)
- ActiveAir Technology
- Sensitive Drying system combines warm air currents and a gentle drum structure for dry clothes
- Anti-crease cycle 60 min at the end of programme
- Fine-adjustment of drying intensity to customise your preferred level of dryness

#### Features

- Stainless steel drum with SoftFlow paddles
- LED Display for remaining time and 24 Hr end time delay, programme status indication, special functions
- Buzzer at the end of the programme
- Time delay to select end of time of your wash (1-24 hours) and time remaining indicator
- EasyClean Filter: Easy cleaning of the condenser filter , for long term protection of the condenser. Condenser may require service clean, with the Easyclean filter for easy maintenance

#### Design

- Glass door
- 38 cm porthole, 175 ° swing door
- Anti-Vibration Side Panels reduce vibrations and ensure greater stability during the drying process.

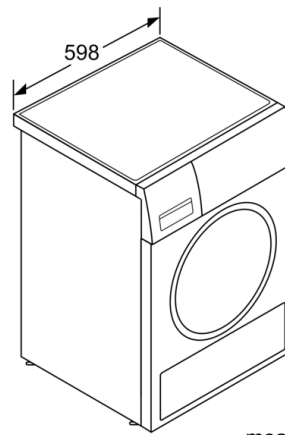
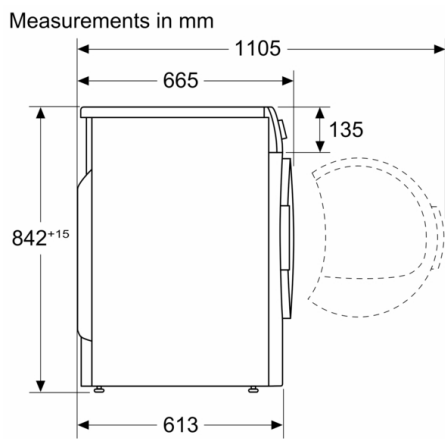
#### Safety

- Child-proof lock
- Automatic drum stop when door is opened

#### Technical Information

- 842 mm x 598 mm x 613 mm (652 mm with door frame)

**Series 6, Heat pump tumble dryer, 8 kg  
WTR85T00AU**



measurements in mm