

**Series 8, Washing machine, front loader, 9 kg, 1400 rpm
WAV28M40AU**



The Serie|8 washer with 4 AntiStain programmes and 4D Wash System with Intensive Plus provides spotless results even with the most challenging loads.

- **4D Wash System:** highly efficient water and detergent penetration for spotless results.
- **AntiStain:** reliably removes 4 common stains.
- **Eco Silence Drive:** the efficient and highly durable washing machine drive.
- **Intensive Plus:** for extra cleaning boost for heavily soiled and full loads.
- **Comfort Control with consumption indication:** easy operation and indication of energy and water consumption.

Maximum capacity in kg (EU 2017/1369): 9.0 kg
 Built-in / Free-standing:Free-standing
 Dimensions of the product: 848x598x590 mm
 Net weight: 72.8 kg
 Connection rating: 2300 W
 Fuse protection: 10 A
 Voltage: 220-240 V
 Frequency: 50 Hz
 Length electrical supply cord: 160.0 cm
 Door hinge:Left
 Wheels:No
 EAN code: 4242005220991
 Installation type:Free-standing

- WMZ2200 Floor securing component
 WMZ2381 Extension for cold water inlet /Aquastop
 WMZPW20W Platform with pull-out, washer, cubic



Series 8, Washing machine, front loader, 9 kg, 1400 rpm WAV28M40AU

The Serie|8 washer with 4 AntiStain programmes and 4D Wash System with Intensive Plus provides spotless results even with the most challenging loads.

Capacity

- Capacity: 9 kg

Consumption rates

- 5 Star Energy Rating for washing performance
- Energy consumption 207 kWh kWh per year, based on Cottons Eco 60°C program at 1400 RPM seven times per week. When tested in accordance with AS/NZS 2040.2. Actual energy use and running costs will depend on how you use the appliance.
- 5 Water Stars (WELS) for washing performance
- Water consumption 65 l litres per wash, using the Cottons Eco 60°C program at 1400 RPM. In accordance with AS/NZS 6400. Actual water consumption will depend on how the appliance is used. AU WELS Registration Number: C01900

Programs

- Consump indicator energy+water, Automatic stain removal system with 4 stain options - activatable with standard programs. Simply select the type of stain Blood, oil, grass and red wine, then the temperature, drum movement and soaking time will automatically adjust to provide the optimal wash setting.
- Standard programs: Cottons Eco, Cottons Program cold to 90°C, Easy Care, AllergyPlus, Drum Clean, shirts/blouses, MIX Silent/MIX Night wash, Spin / Drain, Quick wash/Mixture, Sportswear, Rinse, Super 15 min / Super 30 min, Delicates/Silk cold to 40°C, delicates/silk, Wool Hand wash cold to 40°C
- Special programs: Super 15 min / Super 30 min, AllergyPlus, Sportswear, Spin / Drain.
- DrumClean with reminder function
- Reload function to pause machine operation for adding forgotten laundry items

Performance

- 4D Wash System: high efficient water and detergent distribution for spotless results.
- Maximum spin speed : 1400rpm
- TouchControl buttons: AntiStain: Selection options of Grass, Red Wine, Oil/Butter and Blood, Temperature selection, Spin speed selection, Easy Iron, Prewash, Rinse plus, Finish in (delayed start): delay the start of the program by up to 24 hours, SpeedPerfect, start/pause with reload function
- EcoSilence drive for faster, quieter and more energy efficient performance
- Operating noise level for washing, Cotton 60 EcoPerfect, 1400 rpm at full load in dB (A): 48
- Operating noise level for spinning at standard 60°C cotton program at full loading in dB (A): 75
- ActiveWater Plus: for highly efficient use of water even with small loads thanks to automatic load detection.
- VarioDrum's breakthrough wave-droplet design provides a thorough yet gentle clean for fine textiles

Features

- Large LED-Display for programme status indication, temperature selection, max. spin speed, remaining time and 24 h end time delay, stain selection and consumption indication
- Reload function: Be flexible in adding laundry items even after start of the wash cycle.
- Automatic load detection for precise detection of loaded laundry to adjust automatically the amount of water is needed in every wash.
- Aqua Protection Plus anti-flood protection with self-sealing hose, minimises the risk of flooding
- Consumption Indication: Information about energy and water consumption
- Audiable end-of-cycle signal
- Child lock

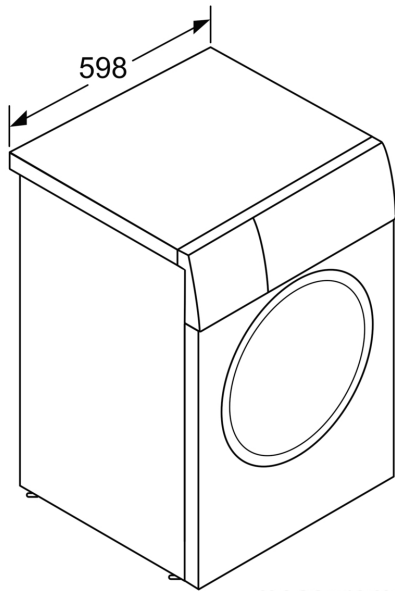
Design and Safety

- AntiVibration Side Panels reduce vibrations and ensure greater stability during the washing and spinning process
- Large 32 cm porthole, chrome, blackgrey with 171° opening door

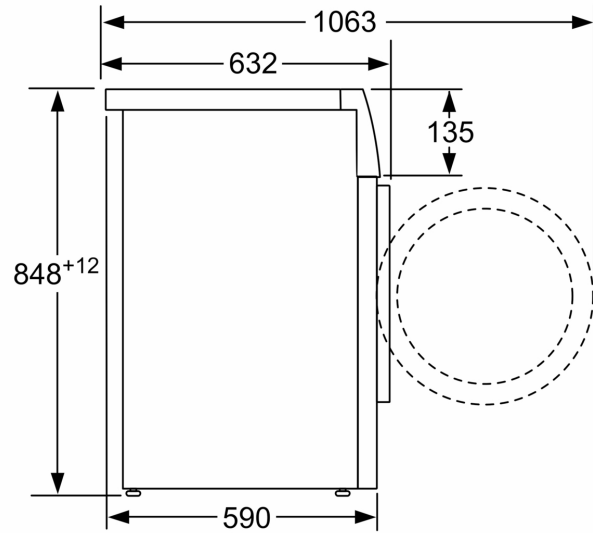
Technical Information

- 848 mm x 598 mm x 590 mm (652 mm with door frame)

**Series 8, Washing machine, front
loader, 9 kg, 1400 rpm
WAV28M40AU**



measurements in mm



measurements in mm