

**Series 8, Washing machine, front loader, 9 kg, 1400 rpm WAV28K40AU**



**The Serie|8 i-DOS washer with Home Connect and 4D Wash System with Intensive Plus provides spotless results with every load fully automatic.**

- **i-DOS:** automatically measures the precise amount of detergent and water needed.
- **4D Wash System:** highly efficient water and detergent penetration for spotless results.
- **Home Connect:** home appliances with smart connectivity for an easier everyday life.
- **Eco Silence Drive:** the efficient and highly durable washing machine drive.
- **Comfort Control with consumption indication:** easy operation and indication of energy and water consumption.

Maximum capacity in kg (EU 2017/1369): ..... 9.0 kg  
 Built-in / Free-standing: ..... Free-standing  
 Dimensions of the product: ..... 848 x 598 x 590 mm  
 Net weight: ..... 74.0 kg  
 Connection rating: ..... 2300 W  
 Fuse protection: ..... 10 A  
 Voltage: ..... 220-240 V  
 Frequency: ..... 50 Hz  
 Length electrical supply cord: ..... 160.0 cm  
 Door hinge: ..... Left  
 Wheels: ..... No  
 EAN code: ..... 4242005220977  
 Installation type: ..... Free-standing

- WMZ2200 Floor securing component
- WMZ2381 Extension for cold water inlet /Aquastop
- WMZPW20W Platform with pull-out, washer, cubic



## **Series 8, Washing machine, front loader, 9 kg, 1400 rpm WAV28K40AU**

**The Serie|8 i-DOS washer with Home Connect and 4D Wash System with Intensive Plus provides spotless results with every load fully automatic.**

### **Capacity**

- Capacity: 9 kg

### **Consumption rates**

- Energy consumption 207 kWh kWh per year, based on Cottons Eco 60°C program at 1400 RPM seven times per week. When tested in accordance with AS/NZS 2040.2. Actual energy use and running costs will depend on how you use the appliance.
- 5 Water Stars (WELS) for washing performance
- Water consumption 65 l litres per wash, using the Cottons Eco 60°C program at 1400 RPM. In accordance with AS/NZS 6400. Actual water consumption will depend on how the appliance is used. AU WELS Registration Number: C01898

### **Programs**

- Standard programs: Cottons Eco, Cottons Program cold to 90°C, Easy Care, AllergyPlus, Automatic 30°C wash, Drum Clean, shirts/blouses, Spin / Drain, Quick wash/Mixture, Sportswear, Rinse, Super 15 min / Super 30 min, Delicates/Silk cold to 40°C, delicates/silk, Wool Hand wash cold to 40°C
- Special programs: Automatic 30°C wash, Super 15 min / Super 30 min, AllergyPlus, Sportswear, Spin / Drain.
- iDos Automatic dosing system: Doses detergent from 1st reservoir and fabric softener only in 2nd reservoir, From front
- DrumClean with reminder function

### **Performance**

- 4D Wash System: high efficient water and detergent distribution for spotless results.
- Maximum spin speed : 1400rpm
- EcoSilence drive for faster, quieter and more energy efficient performance
- Operating noise level for washing, Cotton 60 EcoPerfect, 1400 rpm at full load in dB (A): 47
- Operating noise level for spinning at standard 60°C cotton program at full loading in dB (A): 74
- VarioDrum's breakthrough wave-droplet design provides a thorough yet gentle clean for fine textiles
- ActiveWater Plus: for highly efficient use of water even with small loads thanks to automatic load detection.
- Turbidity Sensor: works with iDos dosing system, to measure the level of soiling. and will adjust accordingly

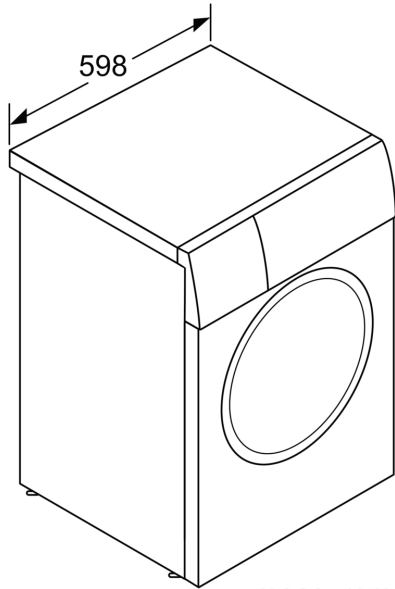
### **Features**

- Automatic load detection for precise detection of loaded laundry to adjust automatically the amount of water is needed in every wash.
- Reload function to pause machine operation for adding forgotten laundry items
- TouchControl buttons: Temperature selection, Spin speed selection, Prewash, Rinse plus, Finish in (delayed start): delay the start of the program by up to 24 hours, SpeedPerfect, start/pause with reload function
- Reload function: Be flexible in adding laundry items even after start of the wash cycle.
- Aqua Protection Plus anti-flood protection with self-sealing hose, minimises the risk of flooding
- Flow-through sensor
- Consumption Indication: Information about energy and water consumption

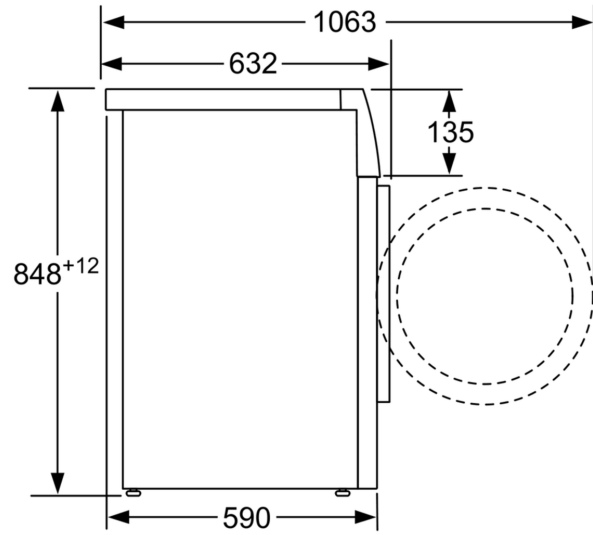
- Large LED-Display for programme status indication, temperature selection, max. spin speed, remaining time and 24 h end time delay, i-Dos selection and consumption indication
- Audiable end-of-cycle signal

**Series 8, Washing machine, front loader, 9 kg, 1400 rpm  
WAV28K40AU**

---



measurements in mm



measurements in mm