

**Series 6, Washing machine, front loader, 8 kg, 1400 rpm
WAT28620AU**



The smarter way to cleaner laundry is 100% accurate detergent-dosing everytime

- **AllergyPlus programme:** specially developed for the needs of allergy sufferers.
- **EcoSilence Drive:** the efficient and highly durable washing machine motor.
- **AntiVibration Side Panels** reduce vibrations and ensure greater stability during the washing and spinning process.
- **AllergyPlus:** developed for allergy sufferers and people with sensitive skin.
- **VarioDrum's** breakthrough wave-droplet design provides a thorough yet gentle clean for fine textiles

Technical Data

Built-in / Free-standing : Free-standing
Height of removable worktop : 0 mm
Dimensions of the product : 848 x 598 x 590 mm
Height for building under : 848.00 mm
Net weight : 71.6 kg
Connection Rating : 2300 W
Fuse protection : 10 A
Voltage : 220-240 V
Frequency : 50 Hz
Length electrical supply cord : 160.0 cm
Washing performance class : A
Total annual energy consumption : 200.0 kWh/annum
Water consumption : 58.0 l
Door hinge : Left
Wheels : No
EAN code : 4242005083664
Capacity cotton - NEW (2010/30/EC) : 8.0 kg
Spin drying performance class : B
: 1400 rpm
Duration of the left-on mode - NEW (2012/30/EC) : 15 min
Noise level washing : 48 dB(A) re 1 pW
Noise level spinning : 72 dB(A) re 1 pW
Installation typology : Free-standing



**Series 6, Washing machine, front loader, 8 kg, 1400 rpm
WAT28620AU**

The smarter way to cleaner laundry is 100% accurate detergent-dosing everytime

Safety

- Aqua Protection Plus anti-flood protection with self-sealing hose, minimises the risk of flooding
- Child-proof lock

Technical Information

- Capacity: 8 kg washing
- Maximum spin speed: 1400 r/min
- 848 mm x 598 mm x 590 mm (632 mm with door frame)
- 32 cm porthole, 171° swing door for easy loading/unloading of clothes
- 5 Star energy rating for Washing performance
- 5 Water Stars (WELS)

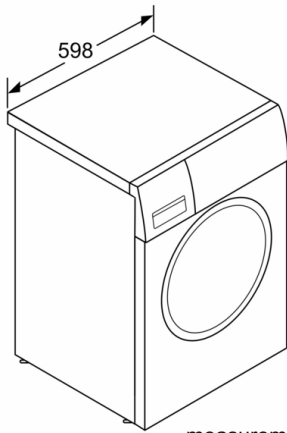
Programs

- Cotton, Easy Care, Mix, Delicates, Wool, Rinse/Spin, Drain, Drum Clean with reminder, SuperQuick 15'/30', Duvet, Sportswear, Shirts, Nightwash
- Touch control buttons: On/Off, Prewash, Rinse Plus, Easy Iron, Spin Speed reduction, Time Delay Start, Temperature Selection, Start/Reload, speedPerfect, ecoPerfect, i-Dos 1: Liquid detergent, i-Dos 2: Fabric Softener
- DrumClean with reminder function
- Reload function to pause machine operation for adding forgotten laundry items

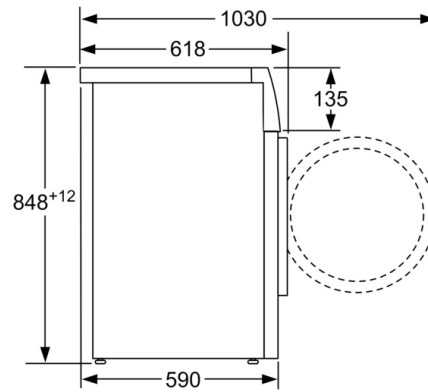
Features

- i-DOS automatic dosing system dispenses the precise amount of liquid detergent for perfect cleaning
- EcoSilence Drive™ friction-free motor minimises heat and wear for long-lasting performance, quiet operation and perfect wash results.
- EcoProjection provides information on how much energy will be used for a selected program
- VarioPerfect: high performance programmes which allow you to clean your laundry with 20% less energy or reduce cleaning time by 65%
- VarioDrum: gentle and efficient washing
- Unbalanced load detection to minimise unnecessary vibration, noise and friction
- Turbidity sensor measures degree of soiling for clothes and prescribes an extra rinse for a thorough clean
- Self cleaning detergent drawer to remove detergent residue
- Anti-Vibration design for greater stability and quietness
- LED display screen to indicate: Programme status, Temperature and Spin Speed Selection, Remaining Time and 24 Hour End Time Delay, Load Recommendation and Consumption
- Buzzer at the end of the programme

**Series 6, Washing machine, front loader, 8
kg, 1400 rpm
WAT28620AU**



measurements in mm



measurements in mm