

WAK24161AU
7 kg, 1200rpm, White
Front load washing machine



German Engineered.

- Conveniently freshen up lightly-soiled laundry in just 15 minutes with Super 15
- **ActiveWater:** helps save water and costs with a 2-step automatic load adjustment system.
- SpeedPerfect frees up your time by getting your laundry done up to 65% quicker
- 4 Energy Star rating and 4 Water Star rating (WELS) reduces environmental impact, and cuts down on running costs.
- VarioDrum's breakthrough wave-droplet design provides a thorough yet gentle clean for fine textiles

Technical Data

Built-in / Free-standing :	Free-standing
Installation typology :	Free-standing
Type of control :	Electronic
Type of control setting and signalling devices :	7 segments, LCD, push buttons
Loading type :	Front
Door hinge :	Left
Main colour of product :	White
Maximum adjustability feet (mm) :	10
Net weight (kg) :	71.451
Gross weight (kg) :	77.0
Maximum spin speed (rpm) :	1200
Capacity cotton (kg) :	7.0
Available languages display :	English, Symbols
Spin speed options :	variable
Skip spin :	Yes
Foam control :	Yes
Balance control :	available
Water protection system :	Multiple water protection
Separate temperature control options :	Steps
Cold wash option :	Yes
Drying progress indicator :	LED, LED-display
Digital countdown indicator :	Yes
Door opening :	Handle
Tub material :	Plastic
Drum volume (l) :	58
Drum material :	Stainless steel
Hot & cold water intake :	No
Optional accessories :	WX975600, WZ10130
Wash optimization :	AllergyPlus / Hygiene, Differing program description, Drain / Spin, Drum clean, higher water level, jeans, Kids, mixture, silk, Single Rinse, SpeedPerfect, Spin speed reduction, Start / Reload, Super 15 min / Super 30 min, Time del:
Pre-wash :	available
Quick wash :	Yes
Dimensions of the product (mm) :	850 x 600 x 600
Dimensions of the packed product (HxWxD) (mm) :	875 x 710 x 655
Color / Material panel :	White
Color Buttons :	white
Color Dial :	white
Door Frame :	white-black grey
Rinse Plus Option :	No
Stain Removal Option :	No
Number of Options :	5
Connection Rating (W) :	2300
Current (A) :	10
Voltage (V) :	220-240
Frequency (Hz) :	50
Approval certificates :	CE, VDE
Length electrical supply cord (cm) :	160
Plug type :	AU plug
Length of drain hose :	150.00
Energy Star Rating :	4 Energy Star

Washing Machines

WAK24161AU

7 kg, 1200rpm, White Front load washing machine

German Engineered.

- Capacity: 7 kg

Consumption rates

- 4 Water Star rating (WELS), 72 l water consumption and 4 Energy Star rating, 264 kwh energy consumption on Cotton 60C Eco, 1200 r/min

Design

- Drum volume: 58 l
- Short-stroke buttons: start/pause with reload function, Aqua plus, SpeedPerfect, Time delay, Spin speed selection/
- 32 cm porthole, 165° swing door for easy loading and unloading of laundry
- Magnetic porthole lock for immediate doorway at end of program
- Housing in White and stainless steel

Programs

- Special programmes: Single Rinse, Drum clean, Mixed load, Kidswear, Jeans/Dark Wash, silk, Drain / Spin, Differing program description, AllergyPlus / Hygiene, Super 15 min / Super 30 min, wool, delicates/silk

Covenience and Safety

- Maximum spin speed : 1200 rpm
- VarioDrum's breakthrough wave-droplet design provides a thorough yet gentle clean for fine textiles
- Time delay to select end of time of your wash (1-24 hours) and time remaining indicator
- Reload function to pause machine operation for adding forgotten laundry items
- Unbalanced load detection
- Foam detection to remove excessive foam
- AntiVibration Side Panels reduce vibrations and ensure greater stability during the washing and spinning process
- Acoustic signal for end of cycle

Safety

- Multi-safe anti-flood protection
- Child lock

Features

- Self cleaning detergent drawer to remove detergent residue

Technical Information

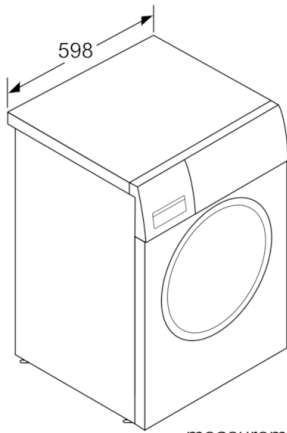
- Dimensions (H x W x D) : 85 cm x 60 cm x 60 cm (61.8 cm with door frame)

Washing Machines

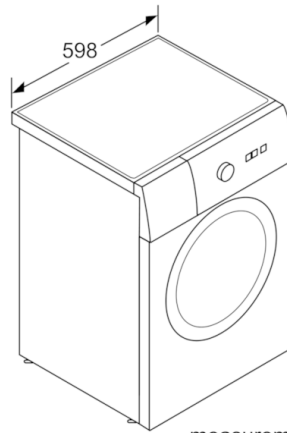
WAK24161AU

7 kg, 1200rpm, White

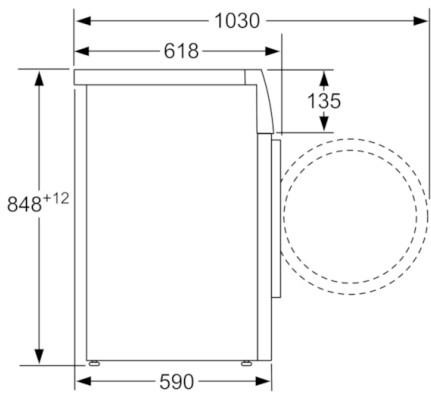
Front load washing machine



measurements in mm



measurements in mm



measurements in mm