

**Serie | 8, Built-under dishwasher, 60 cm, Stainless steel  
SMU88TS03A**



**The ActiveWater 60 with Super 60°C programme, 15 place settings and TFT display: brilliant cleaning and drying results.**

- **Super 60°C programme:** brilliant cleaning and drying results.
- **4.5 star energy & 5.0 star water rating:** Minimal energy consumption thanks to Zeolith and particularly low water consumption.
- **SuperSilence:** exceptionally quiet operation at only 42 dB.
- **HygienePlus option:** rinsing with higher temperatures for highest hygienic performance.
- **VarioFlex Pro basket system & VarioDrawer Pro:** visibly more flexibility & loading capacity.

**Technical Data**

Water consumption (l) :	12.0
Built-in / Free-standing :	Built-in
Height of removable worktop (mm) :	815
Required niche size for installation (HxWxD) :	815-875 x 600 x 550
Depth with open door 90 degree (mm) :	1150
Adjustable feet :	Yes - front only
Maximum adjustability feet (mm) :	60
Net weight (kg) :	47.912
Gross weight (kg) :	50.0
Connection Rating (W) :	2400
Current (A) :	10
Voltage (V) :	220-240
Frequency (Hz) :	50; 60
Length electrical supply cord (cm) :	175
Plug type :	AU plug
Length inlet hose (cm) :	165
Length outlet hose (cm) :	190
EAN code :	4242002844169
Number of place settings :	15
Energy consumption (kWh) :	0.55
Reference programme :	Eco
Total cycle time of reference programme (min) :	160
Installation typology :	Build-under



4 242002 844169

## **Serie | 8, Built-under dishwasher, 60 cm, Stainless steel SMU88TS03A**

### **The ActiveWater 60 with Super 60°C programme, 15 place settings and TFT display: brilliant cleaning and drying results.**

#### **Capacity**

- 15 international place settings

#### **Consumption rates**

- 4,5 stars energy rating, 5 WELS water rating
- Energy consumption in programme Eco 45 °C: 0.55 kwh
- Consumption test programme Eco 45 °C
- Energy consumption in programme Eco 45 °C: 205 kwhper year, based on 280 standard cleaning cycles using cold water fill and the consumption of the low power modes. Actual energy consumption will depend on how the appliance is used.

#### **Wash Programs and Options**

- 8 programmes: Auto 35-45 °C, Auto 45-65 °C, Auto 65-75 °C, Super 60 °C, Eco 45 °C, Glass 40 °C, Quick wash 45 °C, Pre-Rinse
- 5 special options: brilliant dry, IntensiveZone wash option, VarioSpeed™ - express wash option, HalfLoad Plus, HygienePlus

#### **Performance**

- Effortless door closing
- DosageAssist™: Maximises the effectiveness of detergent tablets. The tablet is dropped into a specially engineered tray and is completely dissolved. For superior cleaning performance and a quieter wash.
- AutoBrilliance™: Automatic detergent and rinse aid sensor
- AquaSensor™ technology: Regulates the water usage depending on the type and degree of soiling
- LoadSensor technology: Provides for optimal water usage even for half loads or partial loads, saving water and electricity
- ActiveWater hydraulic system
- Heat Exchanger: Extremely efficient and gentle drying.
- 5 spray levels

#### **Flexibility**

- RackmaticPlus™: 3-stage top basket can be adjusted to three height levels to maximise convenience
- 6 foldable plate racks in top basket
- 8 foldable plate racks in bottom basket
- 2 foldable cup shelves in bottom basket
- Glass rack in lower basket for tall stemmed glasses

#### **Convenience**

- Zeolite-Drying: A unique and energy efficient function that harnesses the power of Zeolith, producing table ready, streak free glass and tableware
- TFT Display in full colour on inner door
- 3 stage self-cleaning filter system
- Hidden control buttons integrated into the top of the door
- Electronic rinse aid indicator
- Alternating spray-arm washing
- Time delay start: Delay programme start time by 1-24 hours to suit your schedule
- Real Time Clock
- Acoustic end of cycle indicator
- Quiet operation NO\_FEATURE
- Front-adjustable rear foot

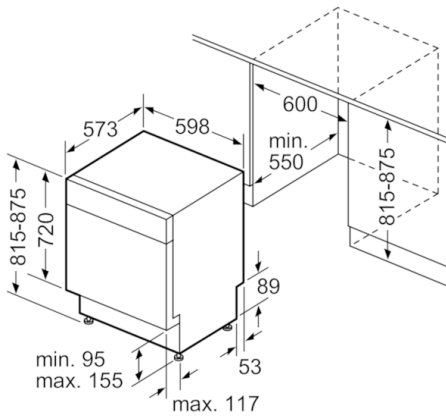
#### **Safety**

- Child door lock
- AquaStop™ Plus: Water supply device with lifetime anti-flood protection

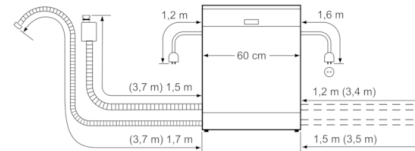
#### **Design**

- Product dimensions (HxWxD): 81.5 x 59.8 x 57.3 cm

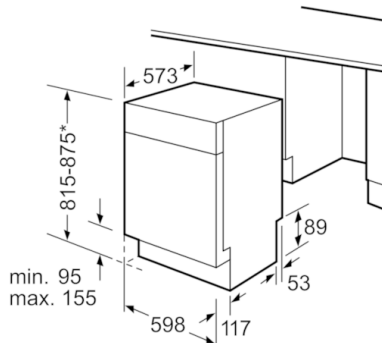
**Serie | 8, Built-under dishwasher, 60 cm,  
Stainless steel  
SMU88TS03A**



measurements in mm



( ) Werte mit Verlängerungssatz



\* Can be set using height-adjustable screw feet  
Base height (when appliance height is 815) - 95 mm  
Base height (when appliance height is 875) - 155 mm

measurements in mm