

**Serie | 6, Built-under dishwasher, 60 cm, Stainless steel
SMU68M25AU**



Optional accessories

SMZ5300 : GlassSecure Tray

The ActiveWater with 4.0 star energy & 5.0 star water for 15 place settings: Perfect results with particularly low energy and minimal water consumption.

- **SuperSilence:** exceptionally quiet operation at only 42 dB.
- **HygienePlus option:** rinsing with higher temperatures for highest hygienic performance.
- **VarioFlex basket system and VarioDrawer:** Great loading capacity and more room.
- **VarioSpeed:** rinses in half the time with optimum cleaning and drying results.

Technical Data

Water consumption (l) :	12.0
Built-in / Free-standing :	Built-in
Height of removable worktop (mm) :	0
Required niche size for installation (HxWxD) :	815-875 x 600 x 550
Depth with open door 90 degree (mm) :	1150
Adjustable feet :	Yes - front only
Maximum adjustability feet (mm) :	60
Net weight (kg) :	40.412
Gross weight (kg) :	43.0
Connection Rating (W) :	2400
Current (A) :	10
Voltage (V) :	220-240
Frequency (Hz) :	50; 60
Length electrical supply cord (cm) :	175
Plug type :	AU plug
Length inlet hose (cm) :	165
Length outlet hose (cm) :	190
EAN code :	4242002842721
Number of place settings :	15
Energy consumption (kWh) :	0.64
Reference programme :	Eco
Total cycle time of reference programme (min) :	170
Installation typology :	Build-under



4 242002 842721

Serie | 6, Built-under dishwasher, 60 cm, Stainless steel SMU68M25AU

The ActiveWater with 4.0 star energy & 5.0 star water for 15 place settings: Perfect results with particularly low energy and minimal water consumption.

Capacity

- 15 international place settings

Consumption rates

- 4 energy rating, 5 WELS water rating
- Consumption test programme Eco 45 °C
- Energy consumption in programme Eco 45 °C: 0.64 kwh
- Programme time in programme Eco 45 °C: 170 min

Wash Programs and Options

- 6 Wash Programs:
 - Eco 45 °C
 - pots and pans 70 °C
 - Auto 45-65 °C
 - Glass 40 °C
 - Quick wash 45 °C
 - Pre-Rinse

Performance

- Effortless door closing
- DosageAssist™: Maximises the effectiveness of detergent tablets. The tablet is dropped into a specially engineered tray and is completely dissolved. For superior cleaning performance and a quieter wash.
- AutoBrilliance™: Automatic detergent and rinse aid sensor
- AquaSensor™ technology: Regulates the water usage depending on the type and degree of soiling
LoadSensor technology: Provides for optimal water usage even for half loads or partial loads, saving water and electricity
- 4 special options:
IntensiveZone wash option, VarioSpeed™ - express wash option, HalfLoad Plus, HygienePlus
- ActiveWater hydraulic system
- Heat Exchanger: Extremely efficient and gentle drying.
- 5 spray levels

Flexibility

- RackmaticPlus™: 3-stage top basket can be adjusted to three height levels to maximise convenience
- VarioFlex basket system
- VarioDrawer
- 2 foldable plate racks in top basket
- 4 foldable plate racks in lower basket
- 2 cup shelves in top basket
- 2 foldable cup shelves in bottom basket

Convenience

- 3 stage self-cleaning filter system
- Wash status display
- Electronic rinse aid indicator
- Alternating spray-arm washing
- Time remain display
- Quiet operation NO_FEATURE
- Front-adjustable rear foot

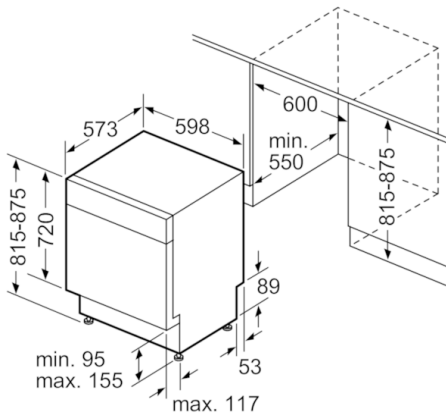
Safety

- AquaStop™ Plus: Water supply device with lifetime anti-flood protection
- Child door lock
- Childproof control lock

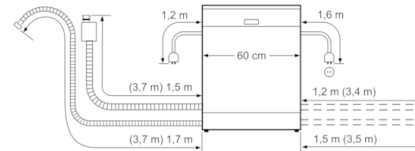
Design

- Product dimensions (HxWxD): 81.5 x 59.8 x 57.3 cm

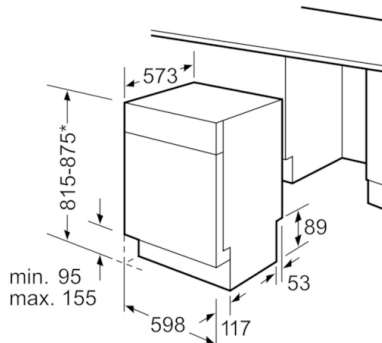
**Serie | 6, Built-under dishwasher, 60 cm,
Stainless steel
SMU68M25AU**



measurements in mm



() Werte mit Verlängerungssatz



* Can be set using height-adjustable screw feet
Base height (when appliance height is 815) - 95 mm
Base height (when appliance height is 875) - 155 mm

measurements in mm