

Serie | 4
SMU46GS01A
Anti Fingerprint Stainless Steel
Built-under 60 cm Dishwasher

ActiveWater Dishwasher: 14 place setting capacity, brilliant cleaning and drying results with very low energy and water consumption.

- **4.0 star energy & 5.0 star water rating:** for very high energy efficiency and particularly low water consumption.
- **SuperSilence:** Very low operating noise at only 46 dB(A).
- **MachineCare:** Maintains the wash quality and reliability of your dishwasher throughout its lifetime.
- **Super Wash System:** For optimum cleaning and drying even the dirtiest dishes and utensils, with higher water spray pressure and improved drying performance.

Technical Data

Water consumption (l) :	13.4
Built-in / Free-standing :	Built-in
Height of removable worktop (mm) :	0
Required niche size for installation (HxWxD) :	815-875 x 600 x 550
Depth with open door 90 degree (mm) :	1155
Adjustable feet :	Yes - front only
Maximum adjustability feet (mm) :	60
Net weight (kg) :	34.904
Gross weight (kg) :	37.0
Connection Rating (W) :	2400
Current (A) :	10
Voltage (V) :	220-240
Frequency (Hz) :	50; 60
Length electrical supply cord (cm) :	175
Plug type :	AU plug
Length inlet hose (cm) :	165
Length outlet hose (cm) :	190
EAN code :	4242002992679
Number of place settings :	14
Energy consumption (kWh) :	0.62
Reference programme :	Eco
Total cycle time of reference programme (min) :	150
Noise level (dB) :	46
Installation typology :	Build-under



4 242002 992679

Serie | 4 Dishwashers

SMU46GS01A

Anti Fingerprint Stainless Steel Built-under 60 cm Dishwasher

ActiveWater Dishwasher: 14 place setting capacity, brilliant cleaning and drying results with very low energy and water consumption.

Capacity

- 14 international place settings

Consumption rates

- 4 energy rating, 4.0 WELS water rating
- 13.4 litres water consumption per wash and 230kWh energy consumption, based on Eco 45°C program

Design

- Built-under Dishwasher - 60 cm wide
- Anti Fingerprint Stainless Steel
- Polinox inner tub
- Effortless door closing
- Push button front controls

Wash Programs and Options

- 6 Programs
 - Pots/Pans, 70 °C
 - Auto Wash, 45-65 °C
 - Super Wash, 60 °C
 - Eco Wash, 45 °C
 - Quick Wash 29 minutes (with use of rinse-aid), 45 °C
 - Prerinse
- 4 special options:
 - Machine Care: Maintains your dishwasher's optimum performance and hygiene
 - SpeedPerfect: Up to 50% faster wash time
 - Half Load: For half loads, reduces use of energy, water and time
 - Extra Dry: Provides an even better drying result

Performance

- ActiveWater™: Automatic load adjustment recognises the load condition in three steps and ensures that only the amount of electricity and water required for that load is used
- DosageAssist™: Maximises the effectiveness of detergent tablets. The tablet is dropped into a specially engineered

tray and is completely dissolved. For superior cleaning performance and a quieter wash.

- EcoSilence Drive® quiet and energy-efficient brushless motor (BLDC)
 - BLDC Main Pump: Variable water & spray pressure to achieve optimum cleaning results
 - BLDC Drain Pump: Fast and extra quiet draining of water, no gurgling sounds
- AquaSensor™ technology: Regulates the water usage depending on the type and degree of soiling
- LoadSensor technology: Provides for optimal water usage even for half loads or partial loads, saving water and electricity
- AutoBrilliance™: Automatic detergent and rinse aid sensor
- Heat Exchanger: Extremely efficient and gentle drying.
- 3 stage self-cleaning filter system
- Alternating spray-arm washing
- 5 spray levels

Flexibility

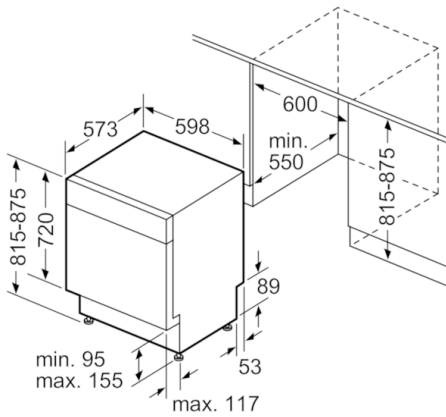
- VarioFlex™ basket system
- 2 foldable plate racks in top basket
- 2 folding plate racks in lower basket
- RackmaticPlus™: 3-stage top basket can be adjusted to three height levels to maximise convenience
- Moveable cutlery basket in lower basket
- Cutlery rack in upper basket
- Incl. Small parts holder (3x)
 - Large item spray head: For washing extra large items such as baking trays and rangehood filters
 - Vapor barrier plate included

Convenience

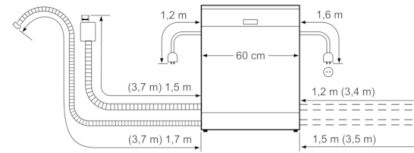
- Quiet operation 46 dB
- Time remain display
- Time delay start: Delay programme start time by 1-24 hours to suit your schedule
- Electronic rinse aid indicator
-
- Safety
 - AquaStop™ Plus: Water supply device with lifetime anti-flood protection
 - Child door lock
 - Childproof control lock
 - 2 year warranty

Appliance dimensions (HxWxD)

- 815 mm x 598 mm x 573 mm

Serie | 4 Dishwashers
SMU46GS01A
**Anti Fingerprint Stainless Steel
Built-under 60 cm Dishwasher**


measurements in mm



() Werte mit Verlängerungssatz