

Series 8, Fully-integrated dishwasher, 60 cm, Tall Tub, variohinge
SBT8ZD801A



XXL TallTub dishwasher with PerfectDry for optimal drying results and Extra Space basket for additional loading capacity.

- **PerfectDry:** perfect drying results with low energy consumption even with hard-to-dry items.
- **Extra Space 3rd Basket:** additional basket provides more space for smaller or odd shaped kitchen items.
- **Max Flex Pro baskets:** easy loading with protection for your dishes.
- **Extra Clean Zone:** extra cleaning for items in your top basket.
- **Home Connect:** Control & monitor your dishwasher remotely from your smartphone or tablet.

Maximum number of place settings (EU 2017/1369): 14
The water consumption of the eco programme in liters per cycle (EU 2017/1369): 11.5 l
Built-in / Free-standing: Built-in
Height of removable worktop: 0 mm
Dimensions of the product (HxWxD): 865 x 598 x 550 mm
Min. required niche size for installation (HxWxD): 865-925 x 600 x 550 mm
Depth with open door 90 degree: 1200 mm
Adjustable feet: Yes - all from front
Maximum adjustability feet: 60 mm
Adjustable plinth: Both horizontal and vertical
Net weight: 50.1 kg
Gross weight: 52.0 kg
Connection rating: 2400 W
Fuse protection: 10 A
Voltage: 220-240 V
Frequency: 50; 60 Hz
Length electrical supply cord: 175.0 cm
Plug type: AU plug
Length inlet hose: 165 cm
Length outlet hose: 190 cm
EAN code: 4242005302604
Installation type: Integrated

- | | |
|-----------|--|
| SGZ0BI11 | decorative strips stainless steel 86,5cm |
| SGZ1010 | inlet and outlet hose extention |
| SGZ8BI00 | Connection rail for divided furniture |
| SMZ2014 | Rack insert for stemware dishwasher |
| SMZ5045 | Decor conversion kit, stainless steel |
| SMZ5150AU | Kick panel stainless steel |
| SMZ5300 | GlassSecure Tray |



Series 8, Fully-integrated dishwasher, 60 cm, Tall Tub, variohinge SBT8ZD801A

XXL TallTub dishwasher with PerfectDry for optimal drying results and Extra Space basket for additional loading capacity.

Capacity

- 14 place setting capacity

Consumption rates

- 4 StarEnergy rating
- 5,0 stars WELS Water rating
- Water consumption: 11.5 litres per wash with Cold water connection using the Eco Wash in accordance with AS/NZS 6400. AU WELS Registration Number: D02585. Energy consumption: 215 kWh per year, with Cold water connection using the Eco Wash program seven times per week. When tested in accordance with AS/NZS 2007.2. Actual energy use and running costs will depend on how you use the appliance.

Design

- Gap Illumination: The gap between the dishwasher door and kitchen cabinetry (upper left) discreetly glows when the dishwasher is in operation
- EmotionLight: Internal lighting for increased visibility
- DoorOpen Assist - a push to open door system, perfect for handleless kitchens
- Vario Hinge: The door hinge allows the decorative door panel to slide upwards while opening, allowing for reduced plinth height (minimum 5cm)
- Hidden control buttons integrated into the top of the door
- High definition Full Colour TFT display screen
- Touch Control interface
- Stainless steel interior tub with 10 year rust through warranty
- Real Time Clock: displays the actual time
- Audible program end indicator tone (can be turned on/off)

Wash Programs and Options

- 8Wash Programs:
 - Eco Wash : Energy efficient wash & dry. Mixed loads & soil levels
 - Auto Intensive
 - Auto Wash
 - Auto Gentle
 - Short wash: quick wash & dry. Mixed loads & soil levels. 89 mins
 - Express wash: Wash only for lightly soiled dishes
 - ExtraQuiet: extended quiet wash & dry program for mixed loads & soil levels
 - Favourite: set or download your favourite combination (Pre-Rinse is set as default)
- 5 special options:
 - Remote Start: Connect to WiFi via HomeConnect
 - Extra Dry: Provides an even better drying result by extending the drying time.
 - Intensive Zone
 - HygienePlus: Hotter final rinse, for increased hygiene that helps to remove bacteria

- SpeedPerfect
- Machine Care: Maintains your dishwasher's optimum performance and hygiene

Performance

- PerfectDry: A unique and energy efficient drying technology that harnesses the power of Zeolith which absorb moisture molecules to provide table ready, streak free glass and tableware. Perfect for drying items that are usually very difficult to dry in a dishwasher such as plastics and sensitive glassware
- Extra Clean Zone: Provides an even better cleaning result for items placed directly over the three rotating nozzles in the top basket
- DosageAssist: Maximises the effectiveness of detergent tablets. The tablet is dropped into a specially engineered tray and is completely dissolved. For superior cleaning performance and a quieter wash
- EcoSilence Drive quiet and energy-efficient brushless motors (BLDC): Main Pump & Drain Pump. Variable water & spray pressure to achieve optimum cleaning results. Fast and extra quiet draining of water, no gargling sounds
- Aqua Sensor technology: Regulates the water usage depending on the type and degree of soiling.
- AutoBrilliance: Automatic detergent and rinse aid sensor
- Heat exchanger, to assist with drying dishes.
- 3 stage filter system, including an innovative micro filter with a corrugated design that conveniently helps to reduce the need to wash the filter and also helps to prevent blockages.
- 5 spray levels for maximum water contact and optimum wash results
- Quiet operation: 42 dB(A)
- Extra Quiet program noise level: 40 dB(A)
- Home Connect WiFi connectivity

Flexibility

- Extra Space 3rd Basket: additional loading capacity for items such as bowls and mugs
- Removable knife shelf in the Extra Space basket
- Max Flex Pro basket system with red coloured touchpoints, easy to identify flexing & moving parts
- Rackmatic: the top basket can be adjusted to at various height levels to maximise convenience, and even utilised on an angle which helps prevent water pooling on the top of cups
- Anti-slip protection strips in top basket
- Ball bearing wheels on all loading levels for easy and smooth basket gliding, even when fully loaded
- 6 foldable plate racks in top basket
- 8 foldable plate racks in bottom basket
- 2 foldable cup shelves with soft silicone edges in top basket
- 2 foldable cup shelves in bottom basket
- Glass rack in bottom basket for tall stemmed glasses
- Time delay start: Delay program start time by 1-24 hours to suit your schedule
- Moveable cutlery basket in bottom basket
- Rack Stopper to prevent derailing of bottom basket
- Large item spray head: For washing extra large items such as baking trays and rangehood filters
- incl. Steam Protection for worktop

Safety

- AquaStop Plus: Water supply device with lifetime anti-flood protection
- Child door lock (double push to open)

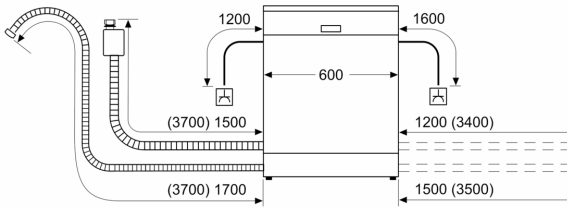
**Appliance dimensions and weight**

- Appliance dimensions (HxWxD): 86.5 - 92.5 cm x 59.8 cm x 55 cm
- Packaging dimensions (HxWxD): 92 cm x 66 cm x 67 cm
- Gross Weight: 52 kg

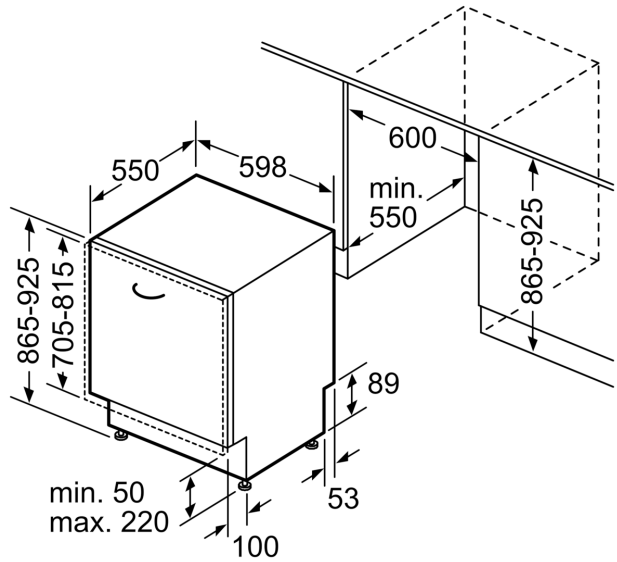
test

**Series 8, Fully-integrated
dishwasher, 60 cm, Tall Tub,
variohinge
SBT8ZD801A**

measurements in mm



⚡ socket
() values with extension kit



measurements in mm