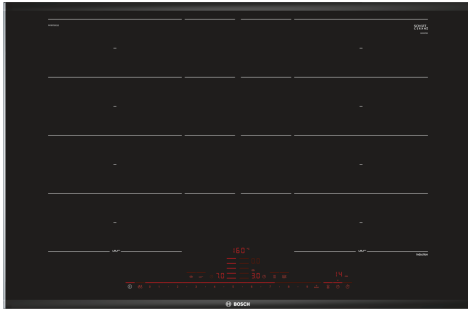


**Series 8, induction cooktop, 80 cm,  
Black,  
PXY875DE1E**



HEZ390011 Stainless Steel roaster with glas lid, HEZ390012 Steaming Rack for Stainless Steel roaste, HEZ390090 Wok Set consisting of 3 Items, HEZ390210 System pan diameter 15 cm, HEZ390220 System pan diameter 19 cm, HEZ390230 System pan diameter 21cm, HEZ390250 System pan diameter 28 cm, HEZ39050 Wireless temperature sensor for cooktop, HEZ390512 Teppan Yaki (large), HEZ390522 Griddle Plate, HEZ394301 Connecting strip, HEZ9ES100 Espresso maker 4 cups, HEZ9FE280 Iron pan Ø 18 / 28 cm, HEZ9FF010 Flex Pan, large, HEZ9FF030 Flex Pan set, 3 pcs., HEZ9FF040 Flex Pan set, 4 pcs., HEZ9SE040 4 pieces Set, HEZ9SE060 6 pieces Set, HEZ9TY010 Teppan Yaki, HZ390011 Stainless Steel roaster with glas lid

**The induction hob with PerfectCook and PerfectFry: achieve optimal results thanks to automatic temperature control.**

- **Induction:** Fast, precise cooking, easy cleaning and low energy consumption.
- **Extended FlexInduction Zone:** maximum space on your hob for large cookware.
- **MoveMode:** the automatic setting of cooking levels allows fast boiling on the front, cooking on the middle and simmering on the rear cooking zone.
- **PerfectFry:** the smart way to fry.
- **PerfectCook:** Prevents overcooking and boiling over by precise controlling the cooking temperature.

Product name/family: ..... Cooking zone ceramic  
 Built-in / Free-standing: ..... Built-in  
 Energy type: ..... Electric  
 Total number of positions that can be used at the same time: ..... 4  
 Min. required niche size for installation (HxWxD): ..... 51 x 750-780 x 490-500 mm  
 Width of the appliance: ..... 816 mm  
 Dimensions: ..... 51 x 816 x 527 mm  
 Dimensions of the packed product (HxWxD): ..... 126 x 953 x 603 mm  
 Net weight: ..... 15.1 kg  
 Gross weight: ..... 18.9 kg  
 Residual heat indicator: ..... Separate  
 Location of control panel: ..... Front  
 Basic surface material: ..... Ceramic  
 Color of surface: ..... Black, Alu, brushed  
 Length electrical supply cord: ..... 110.0 cm  
 EAN code: ..... 4242002854083  
 Voltage: ..... 220-240 V  
 Frequency: ..... 50; 60 Hz



## **Series 8, induction cooktop, 80 cm, Black, PXY875DE1E**

### **The induction hob with PerfectCook and PerfectFry: achieve optimal results thanks to automatic temperature control.**

#### **Flexibility of cooking zones**

- 2 Flex Induction zones + extension zone: use cookware within the 40cm long zone or even place cookware horizontally on the extended zone.
- Cooking zone front left: 230 mm, 200 mm, 2.2 KW (max. power 3.7 KW)
- Cooking zone rear left: 230 mm, 200 mm, 2.2 KW (max. power 3.7 KW)
- Cooking zone rear right: 230 mm, 200 mm, 2.2 KW (max power 3.7 KW)
- Cooking zone front right: 230 mm, 200 mm, 2.2 KW (max. power 3.7 KW)

#### **Comfort & Convenience**

- Direct Select 2.0: directly control the power on the extra large illuminated touch bar (invisible when switched off).
- 17 power levels: precisely adapt the heat with 17 power levels (9 main levels and 8 intermediate levels).
- Keep warm function: keep dishes warm at preset low power level.
- Timer with automatic switch off for all zones: switches off the cooking zone at the end of the time set (e.g. for boiled eggs).
- Alarm clock
  - : an alarm sounds at the end of the time set (e.g. for pasta).
- Timer / Alarm clock: shows how much time has passed since starting the timer (e.g. for potatoes).

#### **Time saving & Efficiency**

- PowerBoost: rapid heating for large pots of water, automatically turns off right on time to prevent overheating
  - : boil water more quickly thanks to 50% more energy than at the highest standard level.
- PanBoost: heat up pans more quickly than at the highest standard level while protecting the pan coating.
- 3-steps: increase or decrease the power level simply by moving the pot forwards or backwards.
- When moving a pot to a different cooking zone, transfer all previous settings to the new zone at the touch of a button.
- QuickStart: Quick and automatic first pot detection: when switching on, the cooktop automatically selects the cooking zone with cookware (placed in off-mode).
- ReStart function: in case of unintentional switch-off, restore all previous settings by switching on the cooktop again within 4 seconds.

#### **Cooking Assistance**

- PerfectCook sensor ready (sensor sold separately) prevents overboiling of pots with the automatic temperature regulation of the sensor (attached to the pot).
- 5 frying and 5 cooking levels
  - : prevents overcooking with the automatic temperature regulation of the integrated sensor.

#### **Design**

- Stainless steel side trims with bevelled front.

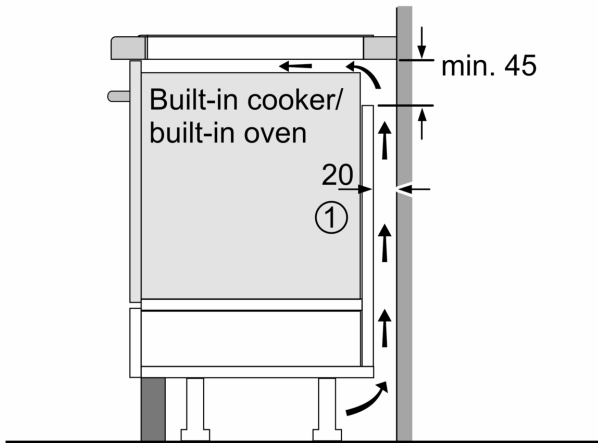
#### **Safety**

- Digital 2 stage residual heat indicator: indicates which cooking zones are still hot or warm.
- Childproof lock: prevent unintended activation of the cooktop.
- WipeProtection: wipe overboiled liquids without unintentionally changing settings (blocking all touch buttons for 30 seconds).
- Main switch: switch off all cooking zones at the touch of a button.
- Automatic Safety switch-off: for safety reasons, heating stops after a preset time without interaction (customizable).
- Energy consumption: shows the electricity consumption of the last cooking process.

#### **Installation**

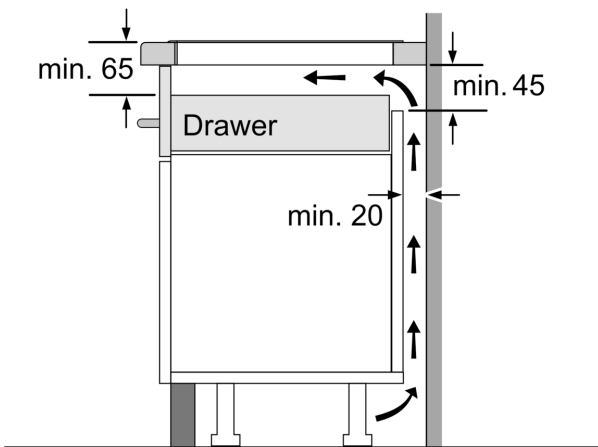
- Dimensions of the product (HxWxD mm): 51 x 816 x 527
- Connected load: 7.4 KW

**Series 8, induction cooktop, 80 cm,  
Black,  
PXY875DE1E**

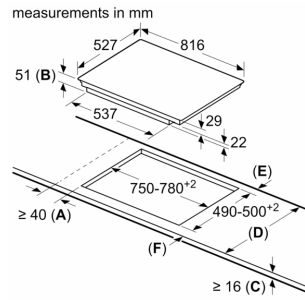


①  
Ventilation gap must  
be present

All measurements in mm



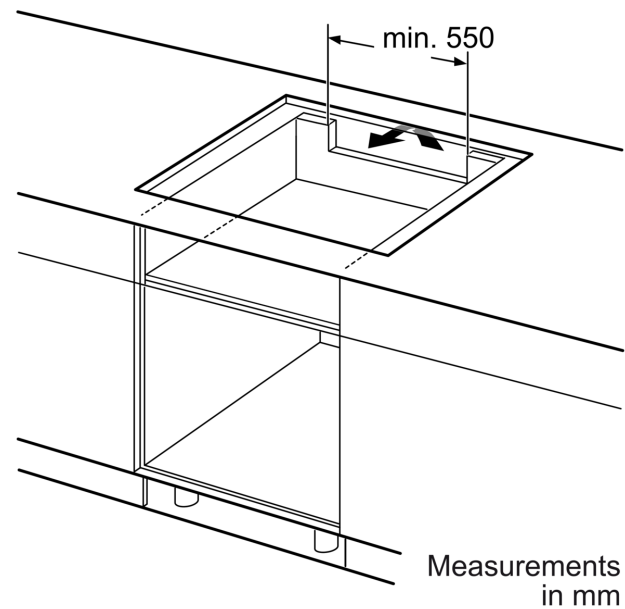
Measurements in mm



**A:** Minimum distance from the hob cut-out to the wall.  
**B:** Recessed depth  
**C:** The clearance between the surface of the worktop and the top of the front of the oven must be 30 mm. See space requirements for the oven.

The worktop into which the hob is installed must withstand loads of approx. 60 kg; suitable substructures must be used if required.

D	E	F
585-600	50	≥ 35
> 600	≥ 50	≥ 50



Measurements  
in mm