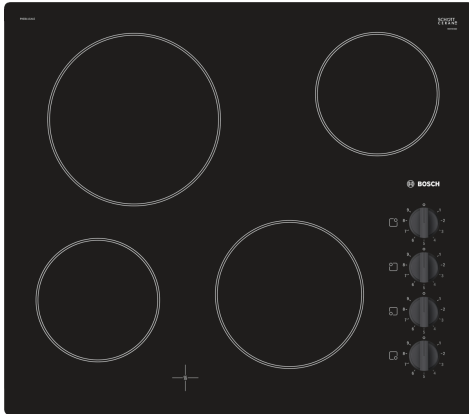


**Series 2, Electric cooktop, 60 cm,
Black,
PKE611CA1A**



- **Surface mounted knobs:** for easy setting of preferred cooking level.
- **Ceramic glass surface:** highly heat-resistant as well as easy to clean.
- **Residual Heat Indicator - Warns if Cooktop is Warm or Hot**
- **Precise Temperature Control for Better Cooking Results**

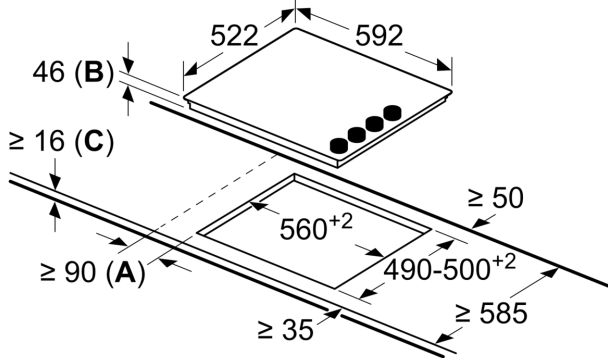
Product name/family: Cooking zone ceramic
 Built-in / Free-standing: Built-in
 Energy type: Electric
 Total number of positions that can be used at the same time: 4
 Min. required niche size for installation (HxWxD):46 x 560-560 x 490-500 mm
 Width of the appliance:592 mm
 Dimensions:46 x 592 x 522 mm
 Dimensions of the packed product (HxWxD): 100 x 750 x 590 mm
 Net weight:7.6 kg
 Gross weight: 8.4 kg
 Residual heat indicator: Separate
 Location of control panel: Lateral
 Basic surface material:Ceramic
 Color of surface:Black
 EAN code:4242002975573
 Voltage: 220-240 V
 Frequency: 60; 50 Hz

HEZ390090 Wok Set consisting of 3 Items
 HEZ9SE030 Set of 2 pots and 1 pan



**Series 2, Electric cooktop, 60 cm,
Black,
PKE611CA1A**

measurements in mm



- A:** Minimum distance from the hob cut-out to the wall.
- B:** Recessed depth
- C:** With fitted oven underneath min. 20, possibly more; see space requirements for the oven.