

**Series 6, Multi Door Fridge Freezer,  
183 x 90.5 cm, Brushed black steel  
anti-fingerprint, Total NoFrost  
KFN96AXEAA**



**The NoFrost refrigerator with VitaFresh plus: Keeps your fresh foods fresh and vitamin-rich longer.**

- **VitaFresh XXL <0°C>**: Keeps food fresh for longer in extra-large climate-controlled fridge drawers.
- **Metal Backwall with Multi Airflow**: Evenly circulates cool, fresh air to maintain consistent temperatures.
- **Super Cooling**: Cools new food placed inside faster, thus protecting already cooled food.
- **Total NoFrost**: You'll never have to defrost your freezer again and no water drops on the fridge back wall.
- **Electronic temperature control**: Precise fridge settings to lock in freshness.

---

Annual energy consumption AU: .....	395 kWh
Total unit net capacity: .....	605 l
Refrigerator Net capacity: .....	405 l
Freezer Net capacity: .....	200 l
Airborne acoustical noise emissions (EU 2017/1369): .....	38 dB(A) re 1pW
Airborne acoustical noise emission class (EU 2017/1369): .....	C
Built-in / Free-standing: .....	Free-standing
Door panel options: .....	Not possible
Height: .....	1830 mm
Width of the appliance: .....	905 mm
Depth of the product: .....	731 mm
Net weight: .....	118.9 kg
Fuse protection: .....	10 A
Door hinge: .....	Left and Right
Voltage: .....	220-240 V
Frequency: .....	50 Hz
Length electrical supply cord: .....	240 cm
Storage Period in Event of Power Failure: .....	15 h
Number of compressors: .....	1
Number of independent cooling systems: .....	1
Interior ventilator: .....	Yes
Reversible Door Hinge: .....	No
Number of Adjustable Shelves in fridge compartment: .....	3
Shelves for Bottles: .....	No
Frost free system: .....	Freezer
Installation type: .....	Free-standing

---



**Series 6, Multi Door Fridge Freezer,  
183 x 90.5 cm, Brushed black steel  
anti-fingerprint, Total NoFrost  
KFN96AXEAA**

**The NoFrost refrigerator with VitaFresh  
plus: Keeps your fresh foods fresh and  
vitamin-rich longer.**

- black inox-antifingerprint
- Total No Frost - never defrost again and no water on the fridge back wall

**Design and Styling**

- LED interior light in fridge section
- Interior with metal applications
- Metal backwall

**Convenience & Safety**

- Frost free MultiAirflow cooling
- Independent controls for fridge and freezer
- Automatic defrost in fridge section
- acoustic for Fridge and Freeze, Optical warning system Door open
- Without illumination in freezer section
- Remote Monitoring and Control, iService Remote

**Shelving and Compartments**

- 4 safety glass shelves of which 3 are height adjustable, 2 shelves extendable
- 2 door shelf large, 2 door shelf small
- Dairy compartment and egg rack
- Deli Drawer
- 6 transparent freezer drawers
- Ice cube tray

**Performance and consumption**

- Total Volume : 605 l
- Net Fridge Volume : 405 l
- Net Freezer Volume : 200 l
- Freezing capacity 24h : 13 kg
- Climate Class: SN-T
- Annual Energy Consumption: 395 kWh (4.5 Star Energy Rating. When tested in accordance with AS/NZS IEC 62552-3. Actual energy use and running costs will depend on how you use the appliance.)
- Noise Level : 38 dB
- Rated Voltage 220 - 240 V

**Accessories**

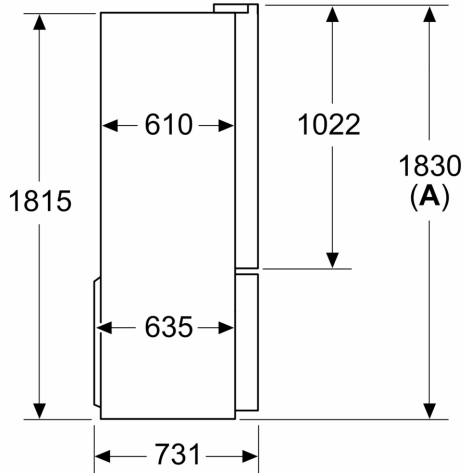
- 1 x ice cube tray

**Dimensions**

- H 183 cm x W 90.5 cm x D 73.1 cm

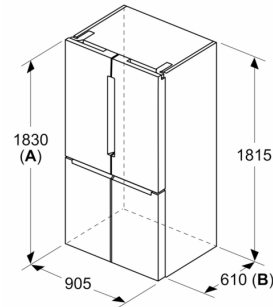
**Series 6, Multi Door Fridge Freezer,  
183 x 90.5 cm, Brushed black steel  
anti-fingerprint, Total NoFrost  
KFN96AXEAA**

Measurements in mm



**A:** Front is adjustable 1830–1847 mm, with front levelling feet fully extended

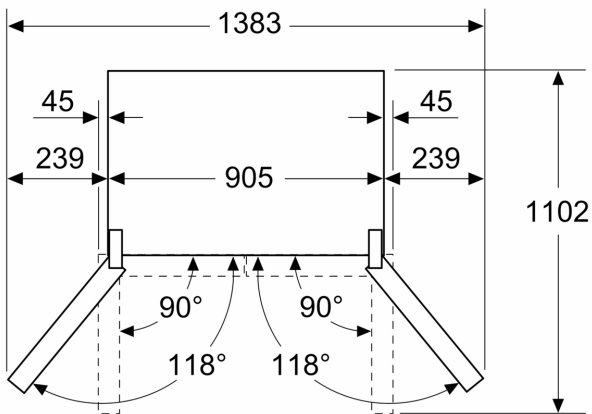
Measurements in mm



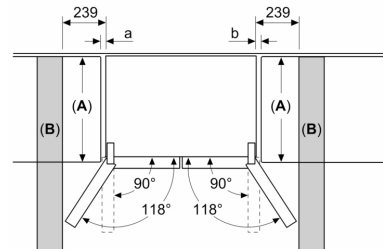
**A:** Front is adjustable 1830–1847 mm, with front levelling feet fully extended

**B:** Add 25 mm for fixed spacers on back

Measurements in mm



Measurements in mm



A	a	b
≤ 600	0	0
600 < A ≤ 650	45	45
650 < A ≤ 700	60	60
> 700	239	239

**A:** Kitchen cabinet or worktop depth

**B:** Wall  
Drawers can be pulled and taken out with door open to 90°