

**Serie | 4, American side by side, White
KAN62V00AU**



Included accessories

1 x egg tray

The NoFrost side-by-side fridge-freezer with indoor electronics: provides a modern door display and saves you from defrosting.

- **NoFrost:** never defrost again, thanks to perfect protection from ice formation - that saves time and effort.
- **TouchControl 7-Segment electronic:** convenient sensor fields - easy to use and easy to read.
- **Vegetable drawers with rippled base:** protects fruit and vegetables from condensation.
- **IceTwister:** easy to remove and fill - for lots of ice cubes.

Technical Data

Built-in / Free-standing :	Free-standing
Number of compressors :	1
Number of independent cooling systems :	2
Width of the product (mm) :	910
Height (mm) :	1756
Depth of the product :	725
Net weight (kg) :	119.729
Door panel options :	Not possible
Door hinge :	left and right
Number of Adjustable Shelves in fridge compartment :	3
Shelves for Bottles :	No
Frost free system :	Fridge and freezer
Interior ventilator :	Yes
Reversible Door Hinge :	No
Length electrical supply cord (cm) :	220
Multi-Flow Air Tower :	Yes
Fast cooling switch :	Yes
Fast freezing switch :	Yes
Carbon Air Filter :	No
Temperature Controlled Drawer :	No
Humidity Control Drawer :	No
Number of Door Bins - Refrigerator :	4
Door bin adjustability - Refrigerator :	No
Tilt-out door bins in fridge :	Yes
Number of Gallon storage :	2
No. of shelves in fridge :	4
Number of shelves - Freezer :	3
Shelf Adjustability - Freezer :	Yes
Connection Rating (W) :	190
Current (A) :	10
Voltage (V) :	220-240
Frequency (Hz) :	50
Storage Period in Event of Power Failure (h) :	16
Approval certificates :	CE, SA
Color / Material body :	White
Door panel options :	Not possible
Energy Star Qualified :	No
Required cutout/niche size for installation (in) :	x x
Dimensions of the packed product (in) :	72.44 x 38.38 x 32.87
Net weight (lbs) :	264
Gross weight (lbs) :	280
Product name / Commercial code :	KAN62V00AU



Serie | 4, American side by side, White KAN62V00AU

The NoFrost side-by-side fridge-freezer with indoor electronics: provides a modern door display and saves you from desfrosting.

Volume

- 678 litres total gross volume
- Net capacity, total: 601 l
- Net fridge capacity: 384 l
- Net freezer capacity 217 litres

Finish

- White with metal bar handle

Controls

Shelving and Compartments

- 2 Vegetable Containers on Full extention rails systems
- 4 safety glass shelves of which 3 are height adjustable, Extendable glass shelf 2 shelves extendable
- 4 Safety glass shelves, 3 height adjustable
- 2 door shelf large, 2 door shelf small
- Adjustable door storage shelves with extra-deep base shelf
- 2 transparent freezer drawers
- 5 door trays in freezer section, 3 units to tilting

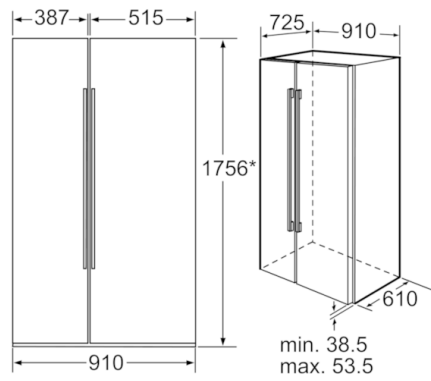
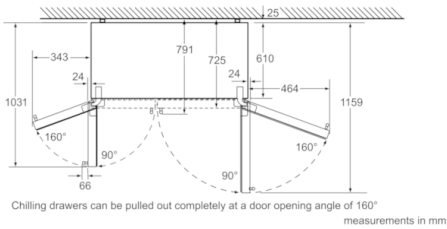
Comfort

- Super freezing with automatic switch off
- Frost free Multi Airflow system
- Acoustic warning system

Dimensions

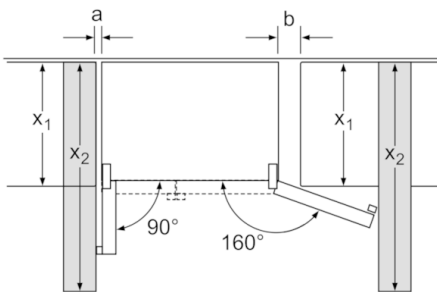
- H 175.6 cm x W 91 cm x D 72.5 cm
- 2.5 Star Energy rating (MEPS 2010) 608kWh per year
- Rated Voltage 220 - 240 V

Serie | 4, American side by side, White KAN62V00AU



* (adjustable from 1747 to 1762)

measurements in mm



X_1 (unit depth)	a	b
600	24	24
650	24	100
700	24	175
X_2 (wall)	90	464

measurements in mm