

Series 8, Built-in oven with added steam function, 60 x 60 cm, Black HRG6769B2A



HEZ327000 Pizza stone, HEZ530000 Half tray, HEZ531010 Baking tray, non-stick ceramic coated, HEZ532010 Universal pan, non-stick ceramic coated, HEZ617000 Pizza pan, enamelled, HEZ625071 Grill tray, anthracite, HEZ631070 Baking tray, enamelled, HEZ632070 Multipurpose pan, enamelled, HEZ633001 Lid for professional pan, enamelled, HEZ633070 Professional pan, enamelled, HEZ634000 Baking and roasting grid, HEZ635000 Barbecue-Set, HEZ636000 Glass pan, HEZ660050 Cover Strip, HEZ664000 Baking and roasting grid, steam, HEZ915003 Glass roasting dish, 5,4 L

The built-in oven with PerfectBake, PerfectRoast and added steam: automatically prepares your dishes so they're perfect and moist

- **Added Steam:** achieve cooking results that are crispy on the outside and juicy on the inside.
- **4D Hotair:** even heat distribution for perfect results – on any level.
- **Pyrolytic self-cleaning:** Automatically cleans the oven, just wipe out the residue.
- **Cleaning Assistance:** less cleaning effort thanks to the new cleaning option, which should be used for light cleaning.
- **LED side lighting:** perfect illumination of foods on all levels.

Color / Material Front: Black
 Built-in / Free-standing: Built-in
 Door opening: Drop down
 Integrated Cleaning system: Pyrolytic+Hydrolytic
 Control Panel Material: Glass
 Door Material: Glass
 Dimensions: 595x594x548 mm
 Dimensions of the packed product (HxWxD): 650 x 650 x 680 mm
 Min. required niche size for installation (HxWxD): 585-595 x 560-568 x 550 mm
 Cavity dimensions: 357 x 480 x 415 mm
 Usable volume of cavity: 71 l
 Number of interior lights: 3
 Net weight: 46.9 kg
 Gross weight: 49.4 kg
 EAN code: 4242005131778
 Connection rating: 3600 W
 Fuse protection: 16 A
 Voltage: 220-240 V
 Frequency: 50; 60 Hz
 Length electrical supply cord: 120.0 cm



Series 8, Built-in oven with added steam function, 60 x 60 cm, Black HRG6769B2A

The built-in oven with PerfectBake, PerfectRoast and added steam: automatically prepares your dishes so they're perfect and moist

Heating Functions

- Oven with 15 PCh heating methods:
- 4D Hot Air
- Defrost Dehydrate Full width grill HotAir Eco Intensive heat Half width grill Top/Bottom heating Top/bottom heating Eco Pizza setting Low temperature / slow cooking Bottom heating Hot-air grilling Pre-Heating Keep warm
- Additional heating methods with steam:
- Reheating with up to 100% steam
- Dough Proving with up to 100% Steam
- Automatic rapid heat function
- Temperature range 30 °C - 300 °C

Rails

- Number of shelf levels: 5
- Telescopic rails: 3 level telescopic shelf rails, Pyrolytic telescopic rail - full extension, full adjustment to any shelf level, safety stop function, - full extension, full adjustment to any shelf level

Design

- Switch for oven illumination, LED-Elongated light, LED lighting
- TFT display screen
- Cavity volume: 71 l
- Anthracite enamel cavity with 5 shelf positions
- Cooling fan
- Stainless steel bar handle
- SoftMove oven door with soft close, Drop down oven door with SoftOpen and SoftClose, Bottom hinged door

Cleaning

- Pyrolytic cleaning function
- Additional functions:
- descaling programme
- drying function

Convenience

- Built in cooking functions: Bosch Assist - automatic oven sensor cooking technology
- Multipoint MeatProbe
- PerfectBake sensor
- Electronic clock/timer with end time programming
- Water tank empty indicator

Accessories

- grill tray, suit. pyrol. clean., combination grid, universal pan

Safety Features

- Child lock
- Residual heat indicator Automatic switch off Start button Door contact safety switch Door lock

- Low door temperature during pyrolytic cleaning
- Quadruple glass door panel glazed, Low door temperature when in use.

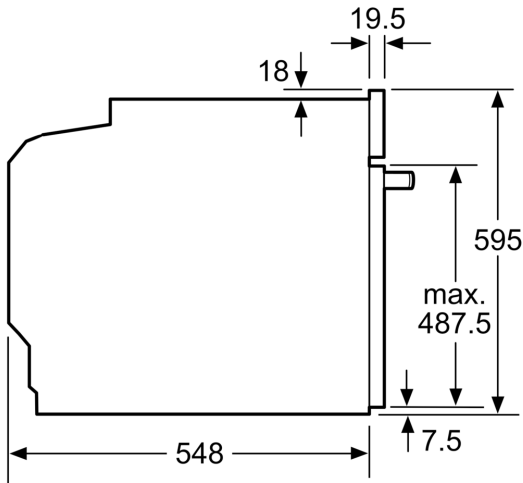
Technical Information

- Length of mains cable: 120 cm
- Nominal voltage: 220 - 240 V
- Total connected load electric: 3.6 KW

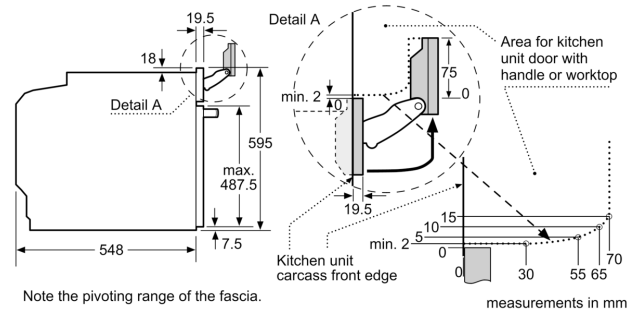
Dimensions:

- Appliance dimension (HxWxD): 595 mm x 594 mm x 548 mm
- Installation dimensions (HxWxD): 585 mm - 595 mm x 560 mm - 568 mm x 550 mm
- Please reference the built-in dimensions provided in the installation drawing

Series 8, Built-in oven with added steam function, 60 x 60 cm, Black HRG6769B2A



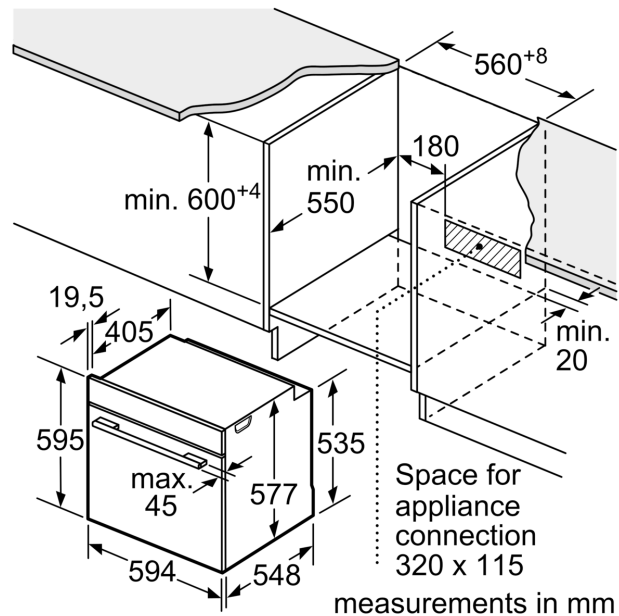
measurements in mm



Note the pivoting range of the fascia.

If the appliance will be installed underneath a hob, the following worktop thicknesses (including substructure if necessary) must be taken into account.

Hob type	min. worktop thickness	
	fitted	flush
Induction hob	37 mm	38 mm
Full surface Induction hob	47 mm	48 mm
Gas hob	30 mm	38 mm
Electric hob	27 mm	30 mm



measurements in mm