

**Serie | 4, Mixed cooker, Stainless steel
HGD74W455A**



Included accessories

- 1 x enamel baking tray
- 1 x grill tray
- 2 x grid
- 1 x universal pan

Optional accessories

- HEZ317000 : Pizza pan, grey enamelled
- HEZ325000 : Grill tray
- HEZ327000 : Pizza stone
- HEZ333001 : Lid for professional pan
- HEZ334000 : Wire shelf

The freestanding electric cooker with up to 8 heating modes and gas hob: lets you cook like a profi.

A

- **Wok burner:** powerful cooking at up to 3.6 KW.
- Electronic clock/timer with LED display
- **3D Hotair Plus:** perfect results thanks to optimal distribution of heat on up to 3 levels simultaneously.
- **Energy efficiency class A:** Best baking results with low energy consumption.
- **Flap door with SoftClose:** the oven door closes especially gently and quietly.
- **Fast pre-heating:** heats up to 30% faster using the same amount of energy.

Technical Data

Built-in / Free-standing :	Free-standing
Dimensions of the product (mm) :	900 x 600 x 600
Length electrical supply cord (cm) :	120
Net weight (kg) :	59.751
Gross weight (kg) :	64.0
EAN code :	4242002852171
Number of cavities (2010/30/EC) :	1
Usable volume (of cavity) - NEW (2010/30/EC) :	66
Energy efficiency class (2010/30/EC) :	A
Energy consumption per cycle conventional (2010/30/EC) :	0.98
Energy consumption per cycle forced air convection (2010/30/EC) :	0.84
Energy efficiency index (2010/30/EC) :	101.2
Connection Rating (W) :	3200
Current (A) :	16
Voltage (V) :	240
Frequency (Hz) :	50
Plug type :	no plug

Serie | 4, Mixed cooker, Stainless steel HGD74W455A

The freestanding electric cooker with up to 8 heating modes and gas hob: lets you cook like a profi.

Oven

- 8 cooking functions: Top/bottom heat, Bottom heat, 3D hot air plus, Pizza setting, Defrost setting, Hot air grilling, Full width variable grill, Half width variable grill
- Extra large capacity oven (66 l) with grey enamel
- Multifunction heating system
- Electronic clock
- Manual Rapid heat Function
- Childproof lock: key function
- Catalytic side, back and roof liners
- Oven illumination
- 2 level telescopic shelf rails
- Full glass inner door
- Triple glazed door
- SoftMove oven door with soft open and soft close
- Drawer for kitchen utensils
- Adjustable feet by 50 mm

COOKTOP

- Gas hob

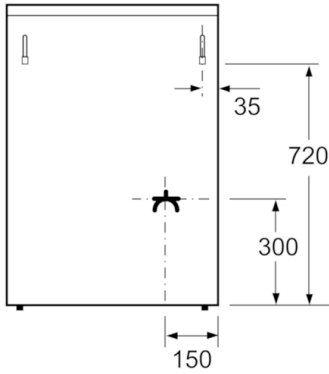
Size & Power

- Burners: 2 standard, 1 economy, 1 wok burner
- Front left: Wok burner 3.6 KW
- Rear left: Standard burner 1.7 KW
- Rear right: Standard burner 1.7 KW
- Front right: Economy burner 1 KW

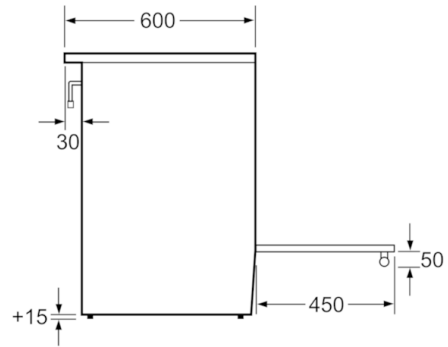
Comfort & Convenience

- One hand electronic ignition
- Flame failure device fitted to each individual burner
- 2 PC Cast iron with rubber feet
- Nozzle presetting/main jet: Natural gas 10 mbar (Australian)
- Liquid gas nozzles (28-30/37mbar) included

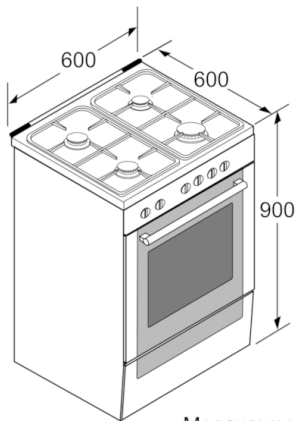
**Serie | 4, Mixed cooker, Stainless steel
HGD74W455A**



Measurements in mm



Measurements in mm



Measurements in mm