

**Series 8, Built-in oven, 60 x 60 cm,
Black
HBG676EB6**



HEZ327000 Pizza stone, HEZ530000 Half tray, HEZ531010 Baking tray, non-stick ceramic coated, HEZ532010 Universal pan, non-stick ceramic coated, HEZ617000 Pizza pan, enamelled, HEZ625071 Grill tray, anthracite, HEZ631070 Baking tray, enamelled, HEZ632070 Multipurpose pan, enamelled, HEZ633001 Lid for professional pan, enamelled, HEZ633070 Professional pan with grid, enamelled, HEZ634000 Baking and roasting grid, HEZ635000 Barbecue-Set, HEZ636000 Glass pan, HEZ638170 1 level telescopic rail, full ext, pyro, HEZ638270 2 level telescopic rails, full ext, pyro, HEZ638370 3 level telescopic rails, full ext, pyro, HEZ660050 Cover Strip, HEZ664000 Baking and roasting grid, steam, HEZ915003 Glass roasting dish, 5,4 L, HEZG0AS00 Connecting cable 3m

The built-in oven with PerfectBake and PerfectRoast: you get perfect baking and roasting results – automatically.

- **PerfectRoast:** precise measurement of core temperature for a perfect roast.
- **4D Hotair:** even heat distribution for perfect results – on any level.
- **TFT touchdisplay:** easy and intuitive oven control with touchscreen.
- **Pyrolytic self-cleaning:** Automatically cleans the oven, just wipe out the residue.
- **Cleaning Assistance:** less cleaning effort thanks to the new cleaning option, which should be used for light cleaning.

Color / Material Front: Black
 Built-in / Free-standing: Built-in
 Door opening: Drop down
 Integrated Cleaning system: Pyrolytic+Hydrolytic
 Control Panel Material: Glass
 Door Material: Glass
 Dimensions: 595x594x548 mm
 Dimensions of the packed product (HxWxD): 660 x 660 x 680 mm
 Min. required niche size for installation (HxWxD): 585-595 x 560-568 x 550 mm
 Cavity dimensions: 357 x 480 x 415 mm
 Usable volume of cavity: 71 l
 Number of interior lights: 1
 Net weight: 39.0 kg
 Gross weight: 41.4 kg
 EAN code: 4242002911359
 Connection rating: 3600 W
 Fuse protection: 16 A
 Voltage: 220-240 V
 Frequency: 50; 60 Hz
 Length electrical supply cord: 120.0 cm



Series 8, Built-in oven, 60 x 60 cm, Black HBG676EB6

The built-in oven with PerfectBake and PerfectRoast: you get perfect baking and roasting results – automatically.

Heating Functions

- Oven with 13 PCh heating methods:
- 4D Hot Air
- Defrost Full width grill HotAir Eco Half width grill Top/Bottom heating Top/bottom heating Eco Pizza setting Low temperature / slow cooking Bottom heating Hot-air grilling Pre-Heating Keep warm
- Temperature range 30 °C - 300 °C
- Automatic rapid heat function
- Built in cooking functions: Bosch Assist - automatic oven sensor cooking technology

Rails

- Number of shelf levels: 5
- Telescopic rails: telescopic rails available as optional accessory, Pyrolytic telescopic rail - full extension, full adjustment to any shelf level

Design

- TFT display screen
- Cavity volume: 71 l
- Stainless steel bar handle
- Bosch Control Ring
- Anthracite enamel cavity with 5 shelf positions
- Cooling fan
- Switch for oven illumination, Halogen lighting

Cleaning

- Pyrolytic cleaning function
- Cleaning Assistance - cleaning option for light residue
- New design full glass inner door, easy to clean with simple access to the door glass - now with QR code support on how separate the inner door for cleaning

Convenience

- Electronic clock/timer with end time programming
- Automatic Temperature control for each function
- Temperature control indicator Actual temperature display Sabbath function Meat probe, set and wait temperature cooking
- SoftMove oven door with soft close, Drop down oven door with SoftOpen and SoftClose, Bottom hinged door
- HomeConnect ready on Wi-Fi, iService Remote: Our local service team can assist and support with any issues, but using Home Connect and digital access to your oven via the internet
- Home Connect helps you to unleash your cooking creativity by allowing you to manage your oven, warming drawer and coffee machine over your Wi-Fi. Tap via the app, speak to your oven with voice control, and make appliances interact with one another automatically. Home Connect is an ever-growing platform that brings the future to your kitchen

Accessories

- enamel baking tray, combination grid, universal pan

Safety Features

- Telescopic rails: 1 Clip-on rail, safety stop function, - full extension, full adjustment to any shelf level
- Low door temperature during pyrolytic cleaning
- Child lock
- Residual heat indicator Automatic switch off Start button Door contact safety switch Door lock

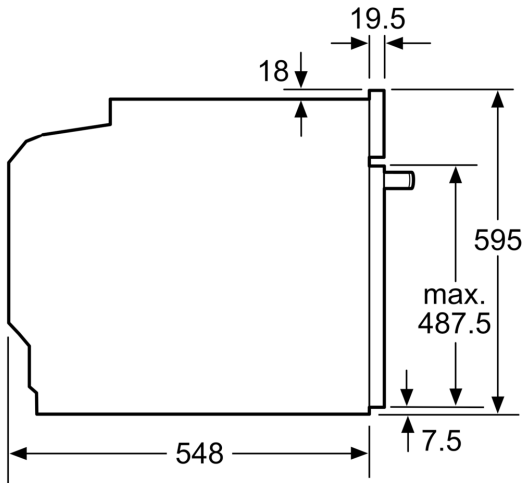
Technical Information

- Length of mains cable: 120 cm
- Nominal voltage: 220 - 240 V
- Total connected load electric: 3.6 KW

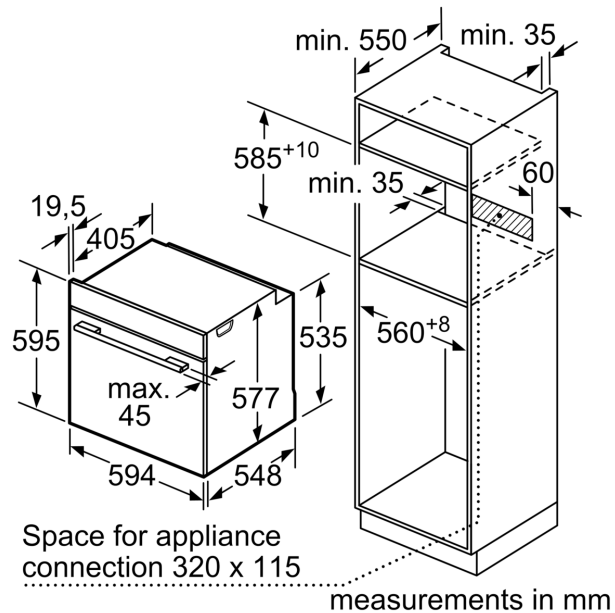
Dimensions:

- Appliance dimension (HxWxD): 595 mm x 594 mm x 548 mm
- Installation dimensions (HxWxD): 585 mm - 595 mm x 560 mm - 568 mm x 550 mm
- Please reference the built-in dimensions provided in the installation drawing

**Series 8, Built-in oven, 60 x 60 cm,
Black
HBG676EB6**



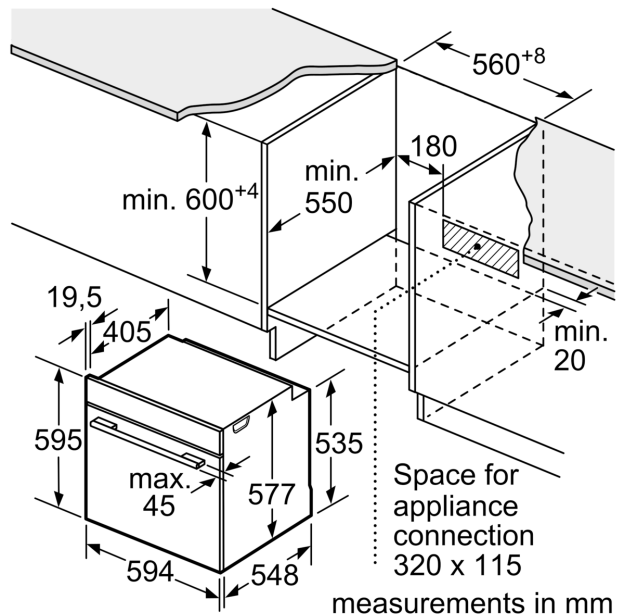
measurements in mm



measurements in mm

If the appliance will be installed underneath a hob, the following worktop thicknesses (including substructure if necessary) must be taken into account.

Hob type	min. worktop thickness	
	fitted	flush
Induction hob	37 mm	38 mm
Full surface Induction hob	47 mm	48 mm
Gas hob	30 mm	38 mm
Electric hob	27 mm	30 mm



measurements in mm