

**Series 8, Built-in oven, 60 x 60 cm,  
Black  
HBG6753B1A**



**Included accessories**

1 x grill tray  
suit. pyrol. clean.  
2 x combination grid  
1 x universal pan

**Optional accessories**

HEZ327000 : Pizza stone  
HEZ530000 : Half tray  
HEZ531010 : Baking tray, non-stick ceramic coated  
HEZ638370 : 3 level telescopic rails, full ext,pyro

- **TFT display control:** easy-to-use thanks to the Bosch control ring with full text and symbols.
- **AutoPilot 10:** every dish is a perfect success thanks to 10 pre-set automatic programmes.
- **2-stage telescoping rails, fully extendable:** for safe, easy insertion and removal of baking trays.
- **Pyrolytic self-cleaning:** Automatically cleans the oven, just wipe out the residue.
- **SoftMove door with SoftOpen and SoftClose:** the oven door opens and closes especially gently and quietly.

**Technical Data**

Color / Material Front : Black  
Built-in / Free-standing : Built-in  
Integrated Cleaning system : Pyrolytic+Hydrolytic  
Required niche size for installation (HxWxD) : 585-595 x 560-568 x 550 mm  
Dimensions : 595 x 594 x 548 mm  
Dimensions of the packed product (HxWxD) : 670 x 680 x 670 mm  
Control Panel Material : Glass  
Door Material : Glass  
Net weight : 40.5 kg  
Usable volume of cavity : 71 l  
Cooking method : , 4D hot air, Bottom heat, Defrost, Full width grill, Half width grill, Hot Air-Eco, Hot-air grilling, low temperature cooking, Pizza setting, pre-heating, Top/Bottom heating, warming  
Oven control : electronic  
Number of interior lights : 1  
Approval certificates : CE, VDE  
Length electrical supply cord : 120 cm  
EAN code : 4242005131433  
Number of cavities (2010/30/EC) : 1  
Energy efficiency rating : A  
Energy consumption per cycle conventional (2010/30/EC) : 0.90 kWh/cycle  
Energy consumption per cycle forced air convection (2010/30/EC) : 0.74 kWh/cycle  
Energy efficiency index (2010/30/EC) : 87.1 %  
Connection Rating : 3600 W  
Fuse protection : 16 A  
Voltage : 220-240 V  
Frequency : 50; 60 Hz  
Plug type : no plug



4 242005 131433

## Series 8, Built-in oven, 60 x 60 cm, Black HBG6753B1A

---

### Heating Functions

- Temperature range 30 °C - 300 °C
- Automatic rapid heat function

### Rails

- Telescopic rails: 2 level telescopic shelf rails, pyrolitic proof, safety stop function, full extension
- Anthracite enamel cavity with 5 shelf positions

### Design

- TFT Touch Symbol Display
- SoftMove oven door with soft open and soft close, Drop down oven door with SoftOpen and SoftClose, , Bottom hinged door
- Cavity volume: 71 l
- Switch for oven illumination, Halogen lighting
- Cooling fan

### Cleaning

- Pyrolytic cleaning function

### Convenience

- Electronic clock/timer with end time programming
- Automatic Temperature control for each function  
Temperature control indicator Actual temperature display  
AutoPilot Automatic programming Sabbath function

### Accessories

- grill tray, suit. pyrol. clean., combination grid, universal pan

### Safety Features

- Maximum window temperature 30° C
- Child lock  
Residual heat indicator Automatic switch off Start button Door contact safety switch Door lock

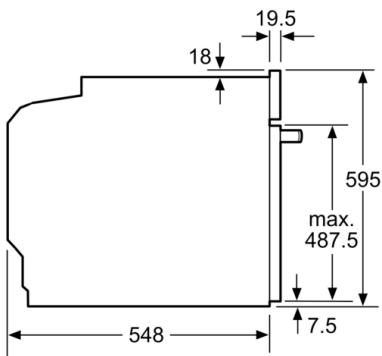
### Technical Information

- Length of mains cable: 120 cm
- Nominal voltage: 220 - 240 V
- Total connected load electric: 3.6 KW

### Dimensions:

- Appliance dimension (HxWxD): 595 mm x 594 mm x 548 mm
- Installation dimensions (HxWxD): 585 mm - 595 mm x 560 mm - 568 mm x 550 mm

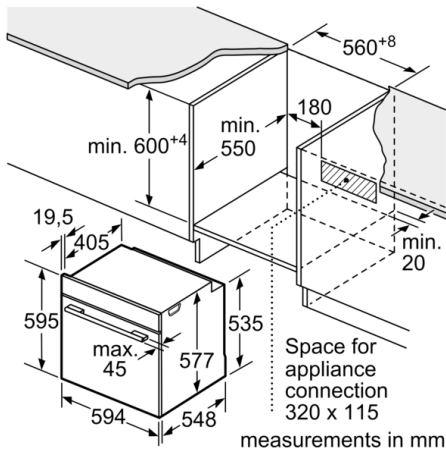
**Series 8, Built-in oven, 60 x 60 cm, Black  
HBG6753B1A**



measurements in mm

If the appliance will be installed underneath a hob, the following worktop thicknesses (including substructure if necessary) must be taken into account.

Hob type	min. worktop thickness	
	fitted	flush
Induction hob	37 mm	38 mm
Full surface Induction hob	47 mm	48 mm
Gas hob	30 mm	38 mm
Electric hob	27 mm	30 mm



measurements in mm